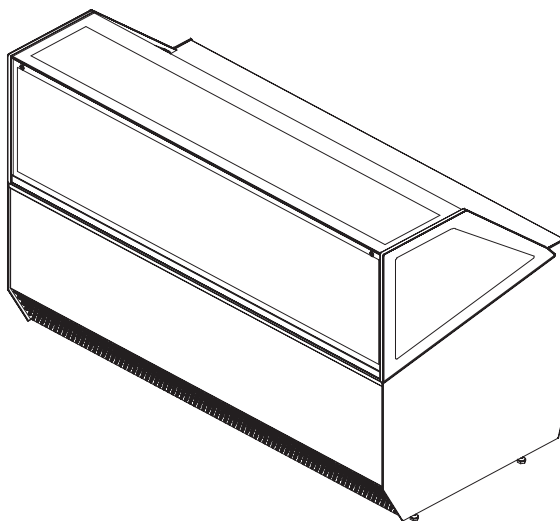
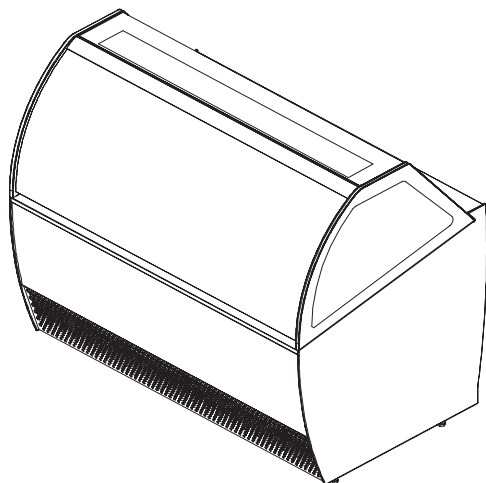


MILLENNIUM

MY2019



ISA S.p.A.

Via Madonna di Campagna 123 - 06083 Bastia Umbra PG - Italy

T. +39 075 801 71 - F. +39 075 800 09 00 - E. customerservice@isaitaly.com

www.isaitaly.com













1.	NOTES / WARNINGS	4
2.	MANUFACTURER	9
3.	WARRANTY TERMS AND CONDITIONS	9
4.	EQUIPMENT IDENTIFICATION	9
5.	USE	10
5.1	COMPOSITION	11
6.	SAFETY	12
6.1	SAFETY DEVICES PRESENT	12
6.2	FIXED GUARDS	12
6.3	ISOLATING THE ELECTRIC POWER SUPPLY	12
6.4	RESIDUAL RISKS	12
6.5	RISK OF CONTACT WITH LIVE PARTS	12
6.6	FIRE	12
6.7	EXPLOSIVE ATMOSPHERE	13
6.8	SLIPPING	13
6.9	TRIPPING	13
06:10	CIRCUIT FAULTS	13
06:11	WARNING SIGNS (IF ANY)	13
06:12	FALLING OBJECTS	13
06:13	COOLING	13
06:14	FOOD SAFETY (PACKAGED PRODUCTS)	13
7.	DISPOSAL OF WASTE MATERIAL	14
8.	INSTALLATION	15
8.1	STORAGE	15
8.2	ENVIRONMENTAL CONDITIONS	15
8.3	ELECTRICAL CONNECTION	15
8.4	UNPACKING	16
8.5	WALL MOUNTING	17
8.6	LEVELLING	17
8.7	HANDLING	18
9.	MAINTENANCE	19
10.	FAULTS - TECHNICAL AFTER-SALES ASSISTANCE	20
11.	TECHNICAL SPECIFICATIONS	21
11.1	COMBINABLE ICE CREAM TUBS (OPTIONAL)	22
11.2	TECHNICAL PLANS	23
11.3	LIGHTING	24
11.4	WEIGHTS ON SHELF	24
11.5	GLASS FRONT OPENING	24
11.6	OPERATOR SIDE OPENING / CLOSING	25
12.	CONTROL PANEL	26
12.1	USER INTERFACE XR44CH	27
12.1.1	LIST OF ALARMS	30
13.	CLEANING	31
13.1	INTERNAL	31
13.2	CONDENSER UNIT (REMOVABLE)	32
13.3	FILTER	33
13.4	DEFROST WATER COLLECTION TRAY (IF PRESENT)	33
14.	PROLONGED APPLIANCE SWITCH-OFF	34

ATTACHMENTS

1	WIRING DIAGRAM - 412100955000	35
2	WIRING DIAGRAM - 412100956000	36
3	ASSEMBLY OF PORTIONER WASHER (OPTIONAL)	37

The manual contains symbols to attract the reader's attention and highlight particularly important aspects. The table below illustrates the meaning of the various symbols used.

	Read the manual		Use of protective clothing
	DANGER Live electrical parts		Maintenance requirement or operations that must be completed by qualified personnel or technical assistance centre
	ATTENTION / DANGER		Important information
	Information		Operations that must be performed by two persons
	Eye check		Notes/Important Notes
	DANGER Slipping		Waste disposal
	DANGER Tripping		Recyclable Material
	Earthing		

1. NOTES / WARNINGS

ISA employs materials of the best quality and as they enter the company, we constantly monitor their storage and the use as part of the manufacturing process to prevent damage, deterioration and failure. All manufacturing elements have been designed and manufactured in order to guarantee reliability and high safety standards. All appliances are subjected to a strict testing procedure before delivery. However, please bear in mind that product performance over time depends on correct use and adequate maintenance. This manual contains the necessary instructions to maintain the appliance's initial appearance and functions over time.

The use and maintenance manual contains the information required to understand the operating modes of the appliance and for its correct use, in particular: the technical description of the various functional units, accessories and safety systems, operation, use of instrumentation and interpretation of any diagnostic warnings, main procedures and information relating to the ordinary maintenance operations. For correct use of the appliance, the working environment should comply with current health and safety standards.

The safety requirements, indications, standards and notes illustrated in the various chapters of the manual are aimed at establishing a code of conduct and a series of obligations to be observed when performing the various activities, in order to create safe conditions for personnel, the equipment and the surrounding environment.

The safety standards reported in this document are intended for trained, authorised personnel responsible for:

- Transport
- Installation
- Operation
- Management
- Maintenance
- Cleaning
- Putting out of order
- Disposal



ATTENTION

Reading this manual, albeit in full, is no substitute for adequate user experience. therefore it should only be considered a useful reminder of the technical features and the main operations to perform.



WARNING



The installers and users **MUST** read and understand the instructions contained herein before any operation on the appliance.

1. NOTES / WARNINGS



NOTE

The contents of this manual are of a technical nature and are owned by **ISA**. It is forbidden to reproduce, circulate or modify all or part of its content without written consent.

Any infringement will be legally pursued.

The manual and the conformity certificate are an integral part of the equipment and should always accompany the product in the event of a transfer to a new location or to a new owner. The user is responsible for the integrity of these documents, for their consultation and during the whole life cycle of the equipment itself. Keep this manual in a safe place. It should be available for consultation near the equipment at all times. If lost or destroyed, you can request a copy of the manual from **ISA** by specifying the exact model, serial number and year of manufacture. The manual reflects the manufacturing technology at the time of supply. The manufacturer reserves the right to modify its products in any way it deems necessary, with no obligation to update manuals and machines relating to previous manufacturing batches.

The equipment can be used by children no younger than 8 and by persons with reduced physical, sensory or mental capabilities, or lacking experience or necessary knowledge, as long as supervised or after having received training regarding safe use of the equipment and have an understanding of the inherent risks involved. Do not allow children to play with the device. The cleaning and maintenance that the user will carry out must not be undertaken by children without supervision.

Always refer to this manual before going ahead with any operation. Before doing any type of work, disconnect the equipment from the power supply. Any work on electric and electronic parts or cooling system components should only be carried out by trained personnel in compliance with current laws.

The Manufacturer cannot be held liable for any damage to persons, animals or to the product in the following cases:

- Improper use of the equipment or use of the appliance by unqualified or unauthorised personnel.
- Failure to comply with current legislation.
- Incorrect installation and/or power supply faults.
- Failure to observe the instructions contained in this Manual.
- Failure to follow the maintenance programme.
- Unauthorised modifications.
- Installation of non-original spare parts in the equipment.
- Tampering with or damage to the power supply cable.

1. NOTES / WARNINGS

Liability for applying the safety instructions contained in this manual is held by the technical personnel responsible for the intended use of the equipment, who should ensure that authorised personnel:

- Are qualified to carry out the requested activity.
- Are aware of and carefully comply with the instructions contained in this document.
- Are aware of, and apply, the general safety standards applicable to the equipment.

The buyer is responsible for training personnel using the appliance on the risks, safety devices and general health and safety rules required by the laws of the country where the appliance is installed. Users/operators should be aware of the position of all the controls and how they work, as well as of the features of the appliance. They should also read this manual in its entirety. Maintenance work should be conducted by qualified personnel after the appliance has been prepared adequately.



DANGER

Unauthorised tampering with or replacement of one or more parts of the appliance, the use of accessories that modify its purpose and the use of spare parts other than those recommended may become a source of accident risks.



DANGER

Any work conducted on the on the appliance **must** involve disconnection from the power socket and in any case, none of the protective elements (grid, casing) should be removed by non-qualified staff; avoid operating the equipment with such protections removed. Before carrying out any cleaning, maintenance or replacement operation, disconnect the equipment from the mains by unplugging it from the electrical supply. During these operations the operator must be able to ensure that the plug remains disconnected.



NOTE

In order not to compromise the operation and safety of the appliance, particularly complex installation and maintenance operations are not documented in this manual and must be performed by specialist technicians of the undersigned company.

Never use electric devices inside this appliance. Do not use mechanical devices or other means to accelerate the defrosting process, other than those recommended by the manufacturer. Keep the air vents in the casing of the appliance or in the structure built into the wall free of obstructions. Do not damage the refrigeration circuit.

"A"-weighted sound pressure level lower than 70 dB(A).

RISK OF EXPLOSION

Do not store products containing flammable propellants or explosives.

1. NOTES / WARNINGS

TRAINING OF THE PERSONNEL

The buyer is responsible for ensuring personnel who will use the appliance and maintenance technical staff are instructed and trained adequately. The manufacturer is available for advice, clarifications, etc. so that the operator and technical staff can use the appliance correctly. To ensure operator safety, appliance devices should be kept in constant working order. This manual is intended to illustrate the use and maintenance of the appliance. The operator has a responsibility and duty to carefully observe the instructions contained within it.

Failure to comply with safety standards may result in injury to personnel and damage to the equipment components and control unit. The user can contact the dealer to request additional information not contained in this document, or suggest improvements, at any time.



Before the product is delivered to the customer, **trained technical personnel** must check that the appliance is operating correctly in order to achieve maximum performance.

REFRIGERANTS

R744 (WHERE APPLICABLE)

The refrigerant **R744** is a gas that is compatible with the environment. Pay close attention during transport, installation and that the destruction not to damage the refrigerant pipelines.

IN THE EVENT OF DAMAGE:

Keep flames or sources of ignition away from the appliance. Properly ventilate the premises for a few minutes. Turn the unit off, pull the plug. Notify the customer service department.

ATTENTION



The refrigerant system is **High Pressure**.

Do not tamper with the system, but call a specialised and qualified technician before disassembly.



ATTENTION



Maintenance must be performed by qualified personnel that has been to work with flammable refrigerants.

1. NOTES / WARNINGS

REFRIGERANTS

R290 (WHERE APPLICABLE)



The refrigerant **R290** is a gas that is compatible with the environment, **but is highly flammable**. Pay close attention during transport, installation and that the destruction not to damage the refrigerant pipelines.

IN THE EVENT OF DAMAGE:

Keep flames or sources of ignition away from the appliance. Properly ventilate the premises for a few minutes. Turn the unit off, pull the plug. Notify the customer service department. The more refrigerant containing an appliance, the greater must be the environment in which there is the unit. In areas too small, in the event of leakage can form a flammable mixture of air and gas. **The volume of the room where the appliance is installed must be at least 19 m³ for each cooling system present in the room.**



ATTENTION

Maintenance must be performed by qualified technical personnel trained and enabled to perform interventions on flammable refrigerants.

R600a (WHERE APPLICABLE)



The refrigerant **R600a** is a gas that is compatible with the environment, but is **highly flammable**. Be very careful when transporting and installing the appliance and scrapping to avoid damaging the refrigerant circuit pipes.

IN THE EVENT OF DAMAGE:

Keep flames or sources of ignition away from the appliance. Properly ventilate the premises for a few minutes. Turn the unit off, pull the plug. Notify the customer service department. The more refrigerant containing an appliance, the greater must be the environment in which there is the unit. In areas too small, in the event of leakage can form a flammable mixture of air and gas. **The volume of the room where the appliance is installed must be at least 17 m³ for each cooling system present in the room.**



ATTENTION

Maintenance must be performed by qualified technical personnel trained and enabled to perform interventions on flammable refrigerants.

2. MANUFACTURER

ISA S.p.A.

Via Madonna di Campagna 123
06083 Bastia Umbra PG
Italy

T. +39 075 801 71
F. +39 075 800 09 00
E. customerservice@isaitaly.com

www.isaitaly.com

3. WARRANTY TERMS AND CONDITIONS

The seller's warranty on the equipment is valid for **12 (TWELVE) months from the date of delivery**. The warranty includes repairs or replacements of any faulty parts due to manufacturing processes or installation after written communication has been received, stating the appliance serial number and date of installation. Not included in the warranty:

- Incorrect use of the appliance.
- Incorrect connection to the power grid.
- Normal component wear (e.g. compressor failure, neon/LED lights, etc.) where not caused by manufacturing defects.
- Calls for installation, technical instructions, adjustments, condenser cleaning.

Confirmation by technicians authorised by the seller of components that have been tampered with, unauthorised repairs and improper use of the equipment will result in the invalidation of the warranty itself.

Shipment of components covered by the warranty is freight collect only.

Any damage to the appliance detected at the time of delivery due to transport must be reported on the same shipping note to claim compensation from the carrier.

The seller cannot be held liable in the event of damage to accepted products due to appliance faults.

4. EQUIPMENT IDENTIFICATION

- Find the label affixed to the machine in order to read technical data.
- Check the machine model and the power supply voltage before you perform any operation.
- If you find discrepancies, contact the manufacturer or the company that supplied the machine immediately.

1		2			
Tip. 3		Mod. 4			
Art. 5					
Data prod. - Prod. Date 6	Ordine prod. - Prod. Order 7	Ord. cliente - Cust. Order 8	Classe Prodotto - Product Class (En23953) 9		
Matricola - Serial Number 10		Matr. di Proprietà - Property Number 11			
12 V~	13 Hz	14 A	15 W	16 W	
Potenza nominale - Rated Power 17 W	Potenza in Sbrinam. - Defrosting Power 18 W	Psig min 19	Psig max 20	Classe Sicur. - Safety Class (EN 60335-2-89) 21	
Corrente nominale - Rated Current 22 A	Corrente in Sbrinam. - Defrosting Current 23 A	Carico rip. - Shelf load 24 Kg/m2	Carico vasca - Tank load 25 Kg/m2		
Tipo Refrigerante - Refrigerant Type 1	Peso Refrigerante - Refrigerant Weight 26 Kg	Volume Lordo - Gross Volume 28 L	30		
2	27 Kg	Espandente - Foaming Agent 29			
CONTIENE GAS FLUORURATI AD EFFETTO SERRA DISCIPLINATI DAL PROTOCOLLO DI KYOGO; SISTEMA ERMETICAMENTE SIGILLATO CONTAINS FLUORINATED GREENHOUSE GASES COVERED BY THE KYOTO PROTOCOL; SYSTEM HERMETICALLY SEALED					

1	IDENTIFICATION OF THE COMPANY RESPONSIBLE FOR THE PRODUCT
2	SYMBOLS OF COMPLIANCE
3	TYPE
4	MODEL NAME
5	ARTICLE
6	PRODUCTION DATE
7	PRODUCTION ORDER
8	CUSTOMER ORDER
9	PRODUCT CLASS
10	SERIAL NO.
11	OWNER REGISTRATION NUMBER
12	SUPPLY VOLTAGE
13	SUPPLY VOLTAGE
14	FUSE VALUE
15	LAMP POWER
16	ELECTRICAL RESISTANCE ABSORPTION
17	NOMINAL POWER (NORMAL OPERATION)
18	POWER (DEFROSTING)
19	MINIMUM PRESSURE
20	MAXIMUM PRESSURE
21	SAFETY CLASS
22	RATED CURRENT
23	CURRENT DURING DEFROSTING
24	SHELF LOAD
25	TANK LOAD
26	TYPE OF COOLANT
27	WEIGHT OF COOLANT
28	GROSS VOLUME
29	EXPANDING INSULATION AGENT
30	WEEE MARK

5. USE

This appliance is exclusively intended for:

DISPLAYING AND SALE OF SPREADABLE ICE CREAM

The manufacturer is not liable for injury to persons or damage to property or the appliance itself caused by the displaying of products other than those described above.

THE APPLIANCE IS INTENDED FOR PROFESSIONAL USE



Not suitable for

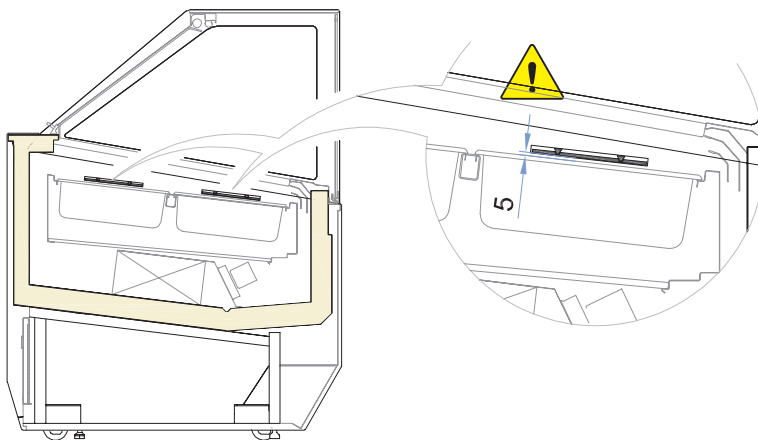
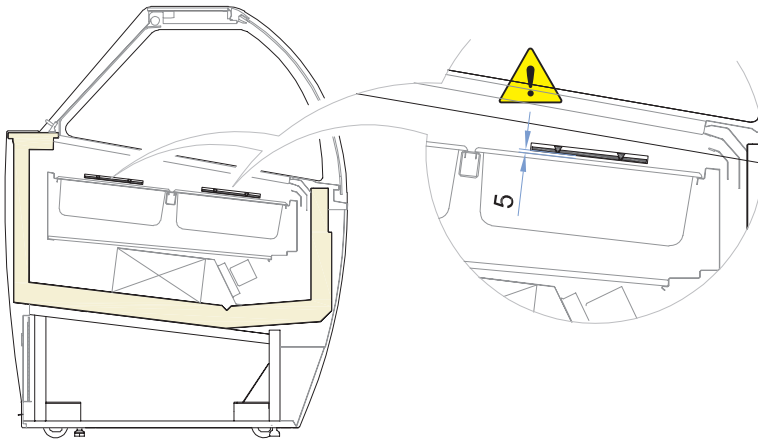
- Food preservation.
- Displaying and/or preserving of non-food products (chemicals, pharmaceuticals, etc.).

ATTENTION



LOAD LIMITS

It is fundamental **not to exceed the load limits indicated** in order not to alter the correct air circulation and thus prevent a higher product temperature. The limits indicated refer to a static and evenly distributed load. Therefore dynamic overloads due to violent loading operations are excluded, which must be prevented for safety reasons.



5.1 COMPOSITION

The appliance is made up of a single cabinet, on which all devices necessary to make it a professional and efficient product for its declared use, are installed.

The appliance consists of:

Ventilated refrigeration unit

On board or remote condensing units

Electrical system

Electronic command panel

Insulated monolithic structure in ecological polyurethane

Internal LED lighting

Closure on operator side with manual self-winding / sliding blind

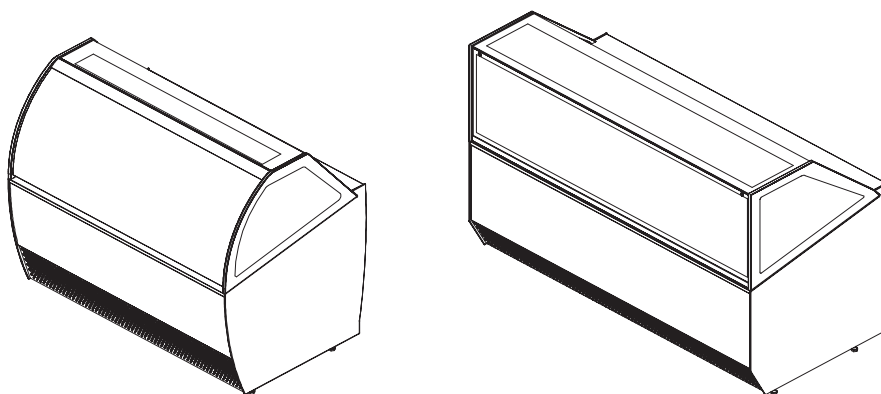
Manually openable front glass (LX)

Manually tiltable front glass (ST)

Swivel casters with brakes

Height adjustable feet

Dust filter for condensing unit



6. SAFETY

The appliance is equipped with safety devices. The buyer is responsible for training personnel using the appliance on the risks, safety devices and general health and safety rules required by the laws of the country where the appliance is installed. Users/operators should be aware of the position of all the controls and how they work, as well as of the features of the appliance. They must also have read this manual in its entirety.

6.1 SAFETY DEVICES PRESENT

Devices whose operation prevents the occurrence of risk situations in operating conditions (e.g. fuses, pressure switches, protections, magnet circuit breakers, etc.).

6.2 FIXED GUARDS

Fixed protective devices consist of fixed perimeter shields, which are used to prevent external parts from entering the equipment.



DANGER

The appliance must not be restarted following maintenance until all protective panels have been replaced.



VISUAL OBSERVATION

You should check the integrity of fixed panels and corresponding fixings to the frame, focussing in particular on the protective panels.

6.3 ISOLATING THE ELECTRIC POWER SUPPLY

Before conducting any maintenance work on the equipment or part of it, it is necessary to section the power supply that powers it.



DANGER

In the event of maintenance operations where the operator cannot prevent accidental closure of the circuit by others, disconnect the appliance from the mains electricity entirely.

6.4 RESIDUAL RISKS

During design the manufacturer examined all the areas or parts at risk. Therefore, all necessary precautions have been taken to prevent risks to persons and damage to the appliance.



ATTENTION

- Periodically check that all the safety devices are operating correctly.
- Do not remove the fixed guards.
- Do not introduce unauthorised objects or tools into the work area.

Although the appliance is fitted with the safety devices prepared, there are still some risks that cannot be eliminated, but reduced via corrective action by the final integrator and correct operational procedures. Below is a summary of the remaining risks associated with the appliance during:

- Normal operation.
- Adjustments and fine tuning.
- Maintenance.
- Cleaning.

6.5 RISKS OF CONTACT WITH LIVE PARTS

Risk of breaking or damaging the electrical components of the appliance, with a possible reduction in safety levels following a short circuit.

Before connecting the electricity supply, make sure there is no ongoing maintenance work.



ATTENTION

Before making the connection, check that the d.c. current in the installation point does not exceed that indicated on the protections switches present in the electric control board. If this is not the case, the user must envision the relevant limiting devices. It is strictly forbidden to conduct any electrical modification, in order to prevent additional unforeseen hazards and risks.

6.6 FIRE



DANGER

In the event of a fire, immediately disconnect the master switch from the main power supply line.

6.7 EXPLOSIVE ATMOSPHERE

The equipment must not be located in an area classified as an explosion risk according 1999/92/EC such as:

Zone 0

An area in which there is a permanent, long-lasting or frequently explosive atmosphere made up of a mixture of air and flammable substances in the form of gases, fumes or steam.

Zone 1

An area in which the formation of an explosive atmosphere, made up of a mixture of air and flammable substances in the form of gases, fumes or steam is occasionally probable during normal activities.

Zone 20

An area in which there is a permanent, long-lasting or frequently explosive atmosphere in the form of clouds of combustible dust in the air.

Zone 21

An area in which the formation of an explosive atmosphere in the form of clouds of combustible dust is occasionally probable during normal activities.

6.8 SLIPPING



DANGER

Any leaks in the areas surrounding the appliance may cause personnel to slip. Check that there are no leaks and keep these areas clean at all times.

6.9 TRIPPING



DANGER

Generally, untidy placement of material may constitute a trip hazard and a total or partial obstruction of emergency exit routes. You should ensure that operating and transit areas and escape routes are free from obstacles in compliance with current law.

6.10 CIRCUIT FAULTS

Owing to potential faults, safety circuits may become less effective, which results in lower safety levels. You should check the operational condition of the appliance devices regularly.

6.11 WARNING SIGNS (IF ANY)

The appliance is fitted with warning danger, warning and obligation signs defined in agreement with the Standard relative to the graphical signs to be used on equipment. These signs are located where they are clearly visible.



ATTENTION

Any warning plates on the appliance must not be removed.

The user is responsible for replacing warning signs that, owing to wear, become unreadable.

6.12 FALLING OBJECTS

The positioning of the cabinet display parts (where present of the equipment (i.e. counters, rods and hooks, etc.) as well as the arrangement of the products inside the cabinet can be the source of potential hazards if not properly performed. Follow the positioning instructions described in this Manual before you place products inside the cabinet, check that the counters are properly fastened, as well as the shelves, hooks, etc. Do not exceed the maximum load limit. Do not position tilted product on the counters if they are not held in place by their stoppers.

6.13 COOLING

If, during different operations to perform on the appliance, such as cleaning or loading goods, it is necessary to handle products and/or counter parts at a low temperature with the risk of "cold injury" for the operators and/or accidental slipping hazard. Follow the safety regulations in the place where the cabinet is installed; more specifically, be sure to always use correct PPE (especially gloves).

6.14 FOODSTUFFS SAFETY (PACKAGED PRODUCTS)

During displaying of packaged products there must be no direct contact between the food products and the display surfaces, however in the event of accidental breakage of the packaging of a product for a sufficiently prolonged period, contamination of the product itself may occur; in this case, strictly follow the instructions for use of the appliance (remove the packaging damaged by exposure and clean using specific products).

7. DISPOSAL OF WASTE MATERIAL

During normal operation, the appliance does not generate any environmental contamination. At the end of its life cycle, or if it is necessary to carry out permanent decommissioning, we recommend the following procedures:

DISPOSAL (USER)



The symbol, applied to either the product or its packaging, indicates that the product should not be considered as normal domestic waste, but should be taken to a waste collection point for the recycling of electrical and electronic appliances. The correct disposal of this product contributes to preventing potential negative consequences that might derive from an inadequate disposal of the product. For detailed information about recycling this product, contact your council, your local waste collection service or the store where you purchased the product.

PROCEDURE FOR DISPOSAL and RECYCLING AT THE END OF APPLIANCE LIFE SPAN OF THE EQUIPMENT (AUTHORISED BODIES)

- Switch off the equipment and unplug the power supply cable.
- Remove the lamps (if installed). These should be disposed of separately.
- Remove the power units and the electronic cards. These should be disposed of separately.
- Remove all the independent parts (grids, casings, profiles, etc.) and group them according to shared features in order to access the heat exchangers, pipes, cables, etc. and be careful not to damage the cooling circuit.
- Remove all mobile parts (doors, sliding doors, glass parts, etc.) and group the various materials according to their features.
- Check the type of refrigerant on the plate positioned inside the counter; extract the refrigerant and dispose of it through authorised services.
- Disconnect the evaporator, condenser, compressor, tubes and fans. These are made of copper, aluminium, steel and plastic and should therefore be disposed of separately.
- On removal of all guards and the various components from the frame, separate the different types of material making up the appliance (plastic, sheet steel, polyurethane, copper, etc.) and collect them separately.



All recyclable materials and waste should be processed and recycled by professionals, in compliance with the laws in the country in question. The company responsible for recycling the materials should be registered and certified as a waste disposal service in accordance with the country in question.



ATTENTION

Illegal disposal of the product by the owner will result in administrative sanctions as required by current laws. Disposal of the product should comply with current laws on the disposal of coolant liquids and mineral oils.



IMPORTANT

If the crossed wheeled bin sign is not present on the appliance, it means that the disposal of the product is not the manufacturer's responsibility. In these cases, current waste disposal regulations apply. Refer to the local authorities, waste disposal services or the store from where the product was purchased.



ADDITIONAL INFORMATION

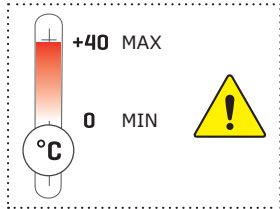
Further information on the disposal of liquid coolant, oils and other substances is available on the safety data sheet corresponding to the substance itself. In order to dispose of foamed assemblies, remember that the polyurethane foams used are CFC, HFC and HCFC free.

8. INSTALLATION

This manual supplies the information necessary for correct unpacking, procedures for positioning and connection to mains electricity.

8.1 STORAGE

The appliance, with or without the packaging, should be carefully stored inside warehouses or in areas away from the elements and direct sunlight, at a temperature between **0** and **+40 °C**.



8.2 ENVIRONMENTAL CONDITIONS



ATTENTION

A dry room that can be ventilated is the suitable location for the appliance's installation. There should be a good air flow around the compressor/condensing unit. Therefore the area around the unit should not be obstructed by boxes or other objects. Place the equipment away from sources of heat (radiators, heaters of any kind, etc.) and far from the influence of continuous air movement (caused by fans, air conditioning units, etc.). If it is unavoidable to install near a heat source, use a suitable insulating plate. Also avoid exposure to direct solar irradiation; all of this causes the temperature inside the refrigerated compartment to rise with negative consequences on operation and energy consumption. The apparatus must not be used outside nor be exposed to rain.

8.3 ELECTRICAL CONNECTION



ATTENTION

Check that the network voltage matches the one displayed on the identification plate of the appliance, and that the power is adequate. Check on the socket that the power supply voltage provides rated voltage ($\pm 10\%$) when you start up the compressor. The plug should be directly connected to the electrical socket. It is forbidden to connect the plug to the socket by means of multiple socket extensions or adaptors. The plant power supply socket must be fitted with a disconnection device from the mains electricity (dimensioned to the load and in compliance with Standards in force), which guarantees complete disconnection in category III (3) over-voltage conditions and therefore protects the circuits against earth faults, overloads and short circuits. Do not route the electricity cable in passageways.



ATTENTION

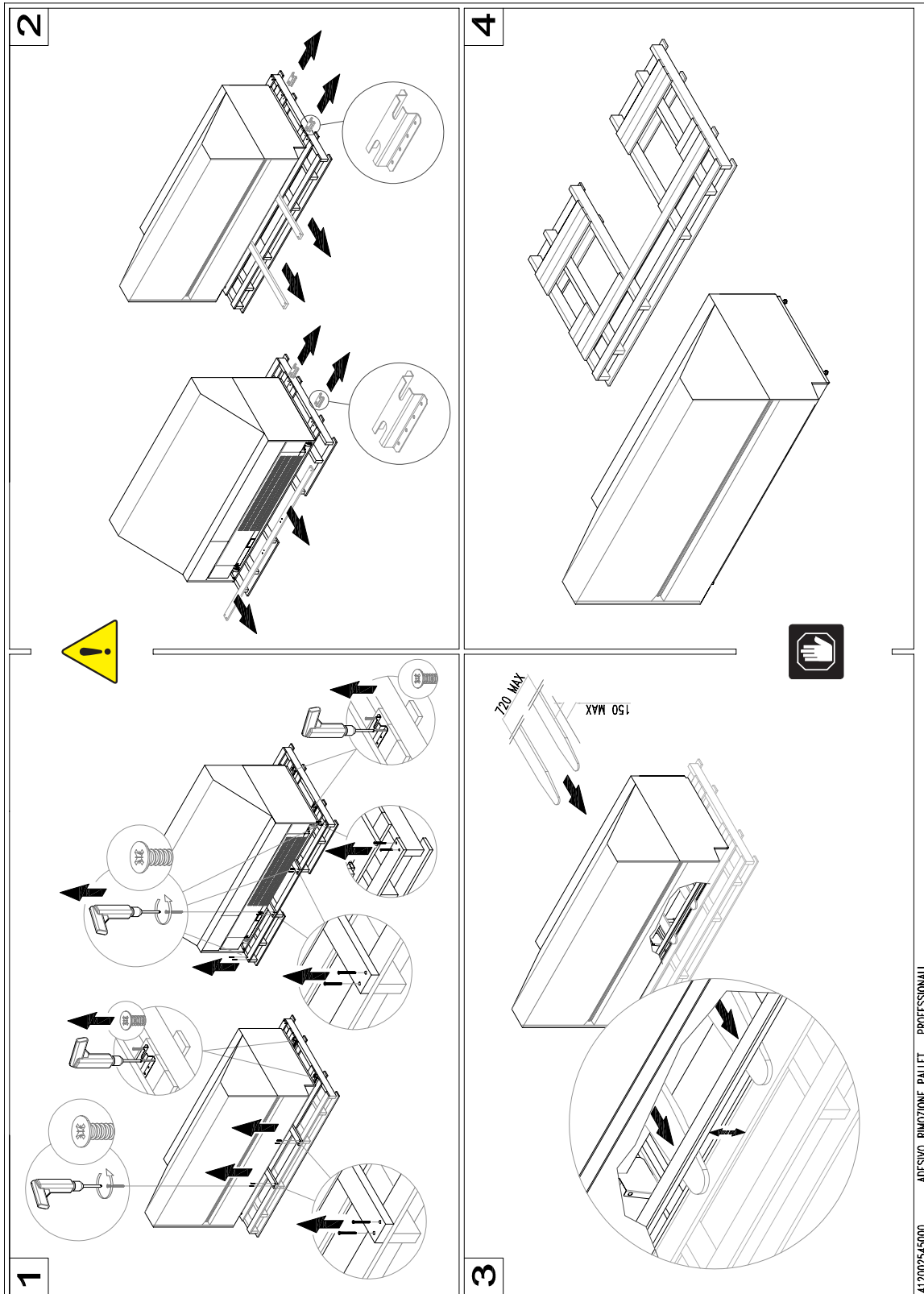
Earthing is necessary and mandatory by law.

8.4 UNPACKING



Movement of the apparatus should only be performed using a pump or fork truck of a sufficient capacity for the weight, and moved by qualified personnel: during such operations, the apparatus must be positioned on the pallet supplied.

All packaging materials are recyclable and should be disposed of in accordance with local regulations. All packaging materials are recyclable and should be disposed of in accordance with local regulations. Please destroy "plastic" bags to prevent them from becoming hazardous to children (suffocation).

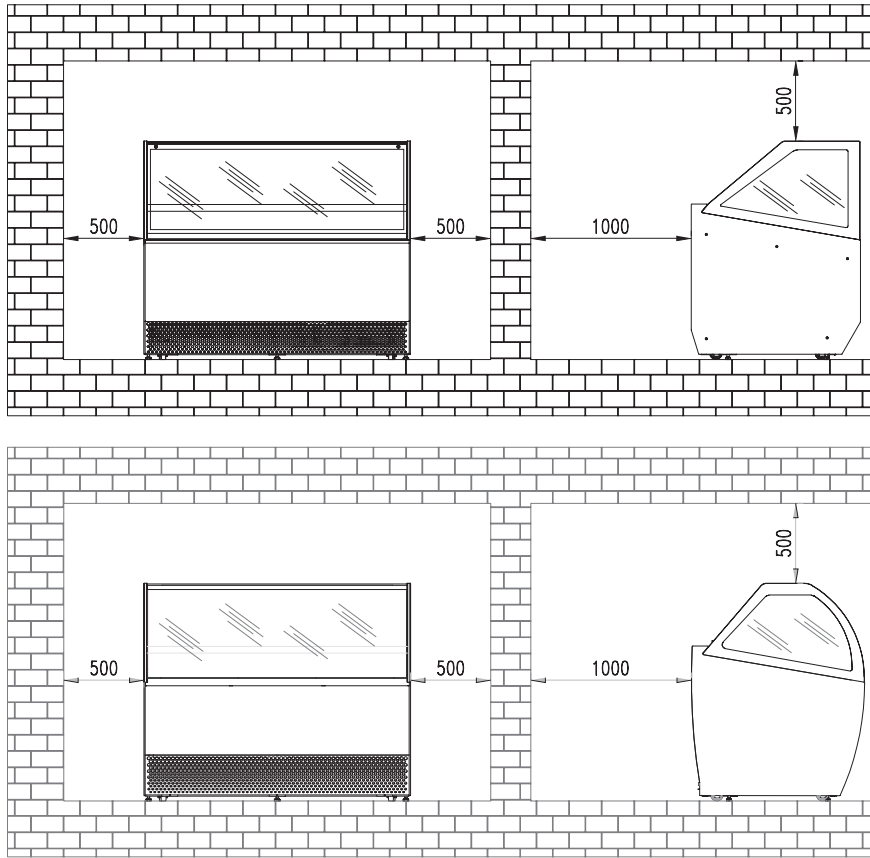


8.5 WALL MOUNTING



ATTENTION

It is fundamental to respect the distances indicated (mm) for correct installation of the appliance.



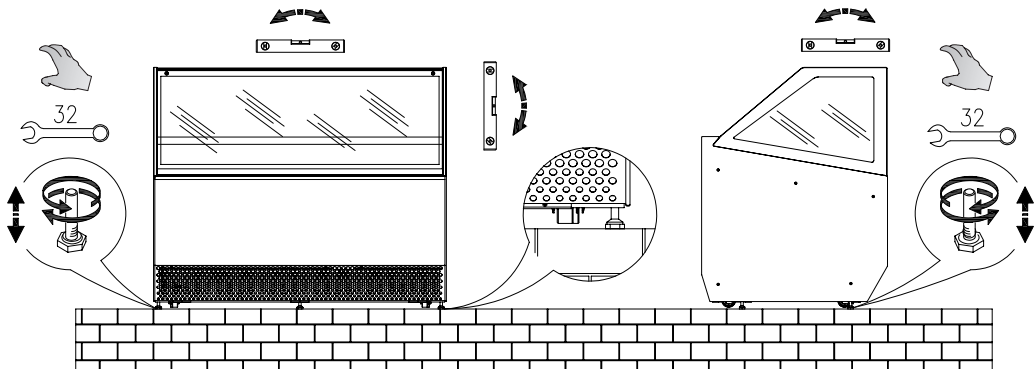
8.6 LEVELLING



ATTENTION

ADJUSTABLE FEET

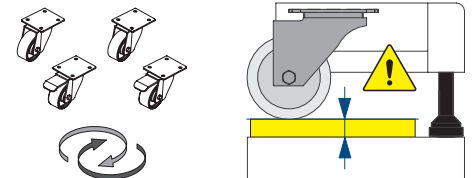
The equipment is fitted with height-adjustable feet for stabilisation on the ground. After positioning **it is necessary** to level the appliance manually on the ground.



ATTENTION

SWIVEL CASTERS

The equipment is fitted with pivoting wheels with brake to facilitate movement. After its positioning the equipment must be stabilised on the floor via the specific height-adjustable feet as indicated so that the weight does not push down on the wheels.



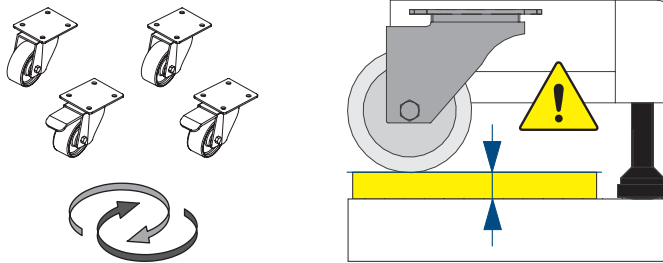
8.7 HANDLING



ATTENTION

SWIVEL CASTERS

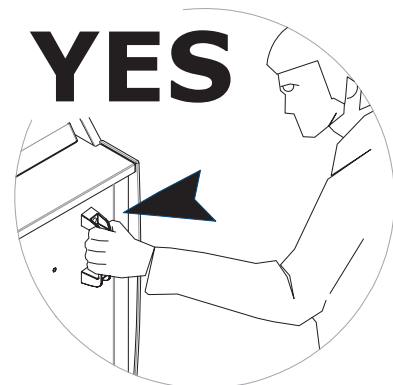
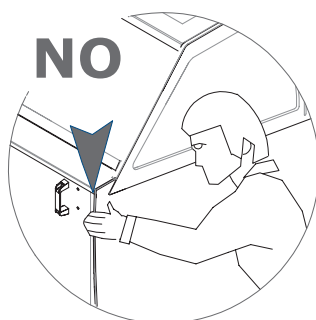
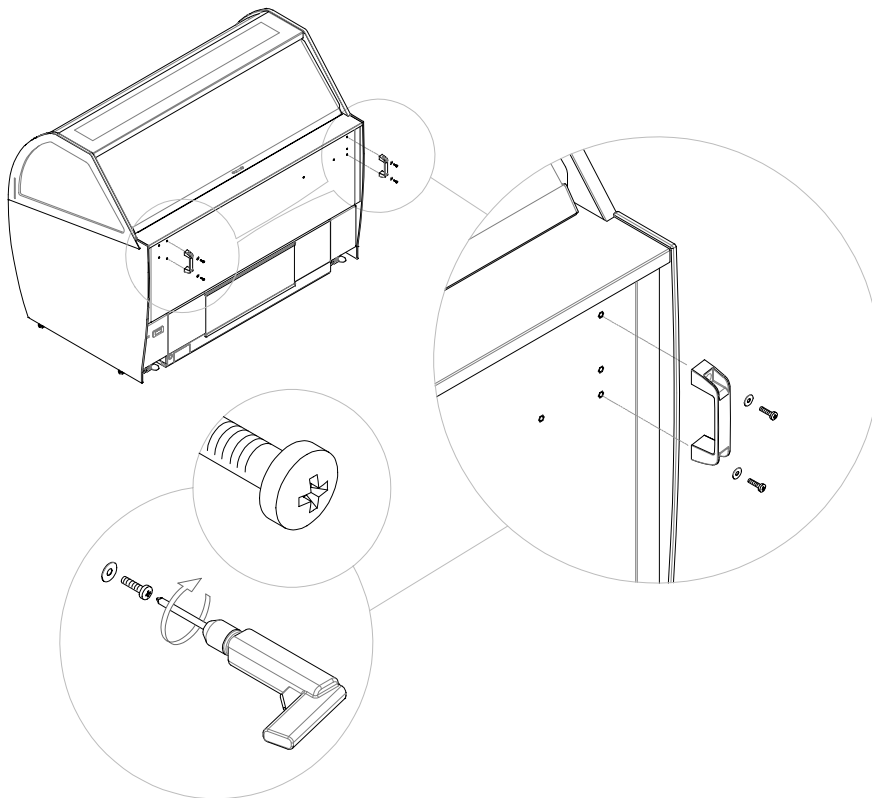
The appliance has swivel drive wheels with brake to facilitate handling. After its positioning, the equipment must be stabilised on the floor acting on the specific feet that are adjustable in height so that the weight is not resting on the wheels.



ATTENTION


HANDLES

It is **essential** to move the appliance by installing the dedicated **handles supplied** as indicated below.



9. MAINTENANCE

The **Staff in charge of the appliance** must control and respect the expiry dates for maintenance, given in the table below, contacting the authorised **Technical After-sales assistance** when indicated.

OPERATION	FREQUENCY				ORDINARY	EXTRAORDINARY	PERSONNEL AUTHORISED
	Depending on Use and Necessity	Monthly	Every 6 months	Annual			
CLEANING THE EXTERNAL SURFACES	X				X		USER
CLEANING THE ACCESSIBLE INTERNAL PARTS (without the use of tools)	X				X		
CONTROL POWER SUPPLY CABLE, PLUGS AND / OR ELECTRICAL SOCKETS			X		X		
CONTROL INTEGRITY OF SEAL		X			X		
CONDENSING UNIT FILTER CLEANING (whenever present)			X		X		
DEFROSTING WATER COLLECTION TRAY CLEANING	X				X		TECHNICAL ASSISTANCE 
CONDENSER CLEANING	X			X	X		
CHECK COMPRESSOR OIL LEVEL (whenever present)					X		
AIR TANK DRAINING (whenever present)			X		X		
CONTROL PNEUMATIC CONNECTIONS (whenever present)			X		X		
CONTROL INTEGRITY PIPE COOLING SYSTEM			X		X		
INSPECTION OF CABLES INTERNAL CONNECTIONS AND POWER			X		X		
CONDENSATE DRYING SPONGES CLEANING (whenever present)			X		X		
LAMP / LED REPLACEMENT (whenever present)						X	
REPLACEMENT OF CONTROL PANEL (electronic control unit - thermostat - etc.)						X	
REPLACEMENT OF POWER SUPPLY CABLE, PLUGS AND/OR ELECTRICAL SOCKETS						X	

ATTENTION



After all maintenance it is **mandatory** to perform all electrical safety tests in accordance with the IEC EN 50106 Standard.


10. FAULTS - TECHNICAL AFTER-SALES ASSISTANCE

If the appliance is not working properly or stops working, **before contacting** the service of the **Customer Support Centre** check the following:


THE APPLIANCE IS NOT WORKING

CAUSE	SOLUTION	PERSONNEL AUTHORISED
Blown protective fuse	First find the cause of the trip of the switch, and then replace the new fuse.	USER
The master switch is open	Close the master switch.	
The plug is not inserted	Insert the plug.	
Electrical black-out	If the black-out should be prolonged, transfer the product into an appropriate cold storage container.	

THE INTERNAL TEMPERATURE IS NOT LOW ENOUGH

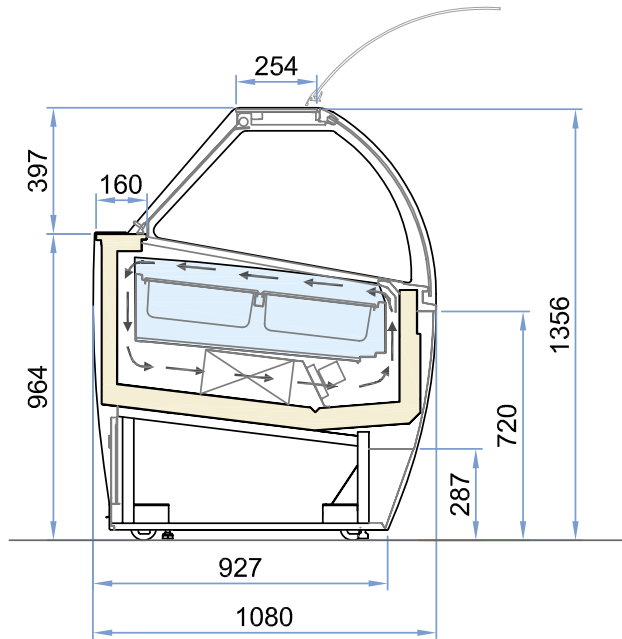
CAUSE	SOLUTION	PERSONNEL AUTHORISED
Evaporator/s obstructed completely by ice	Carry out an additional defrosting cycle.	USER
Wrong temperature setting	Set the appropriate temperature.	
The appliance is affected by draughts or is exposed to direct or reflected sunlight	Remove any draughts and prevent any direct or reflected sunlight.	
Insufficient air flow for cooling to the condenser	Remove anything which could obstruct the circulation of air through the condenser (sheets of paper, cardboard, insufficient slots in grille, etc.).	
Internal fans at standstill or with fans damage		TECHNICAL ASSISTANCE
Internal ventilation is too high		
Thermostat / Electronic control board not efficient	Replace the thermostat/electronic control board. If the control unit is set up especially for the R290 refrigerant, it must only be replaced with an original replacement from ISA. Replace the temperature probes only after checking which of the two is not operating efficiently.	
Condenser unit blocked by dust or dirt in general	Clean the condensing unit thoroughly. The condenser in particular operating environments (e.g. presence of dust, presence of excessive humidity, etc.) when the performance of the equipment deteriorates requires careful cleaning.	
Insufficient refrigerant load in the cooling system	Find the cause behind the lower amounts of coolant and eliminate it. Top up the coolant. If necessary, empty the system before topping up.	

THE COMPRESSOR DOES NOT START-UP OR OPERATES FOR A FEW MOMENTS

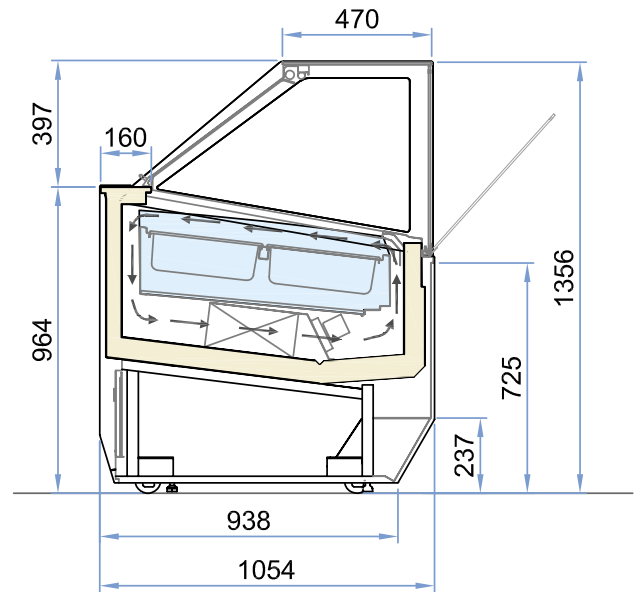
CAUSE	SOLUTION	PERSONNEL AUTHORISED
No electric power supply to the appliance	Check if there is a power cut. Close the various switches on the power supply line.	USER
Excessively low power voltage	Check that the network voltage of the power supply cable is of a rated value of 220V +/- 10%.	
Temperature set too high	If the temperature is higher than the air temperature in the display chamber, the compressor will not start. Set the suited temperature if the current temperature is not low enough.	
Intervention of the maximum pressure switch (where present)	Check the reasons why the pressure switch is operating at maximum pressure levels, such as: air condenser obstructed, condenser fan with air stopped, ambient temperature too high, pressure switch defective.	TECHNICAL ASSISTANCE 

11. TECHNICAL SPECIFICATIONS

LX

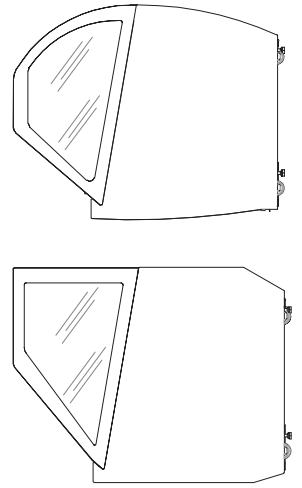
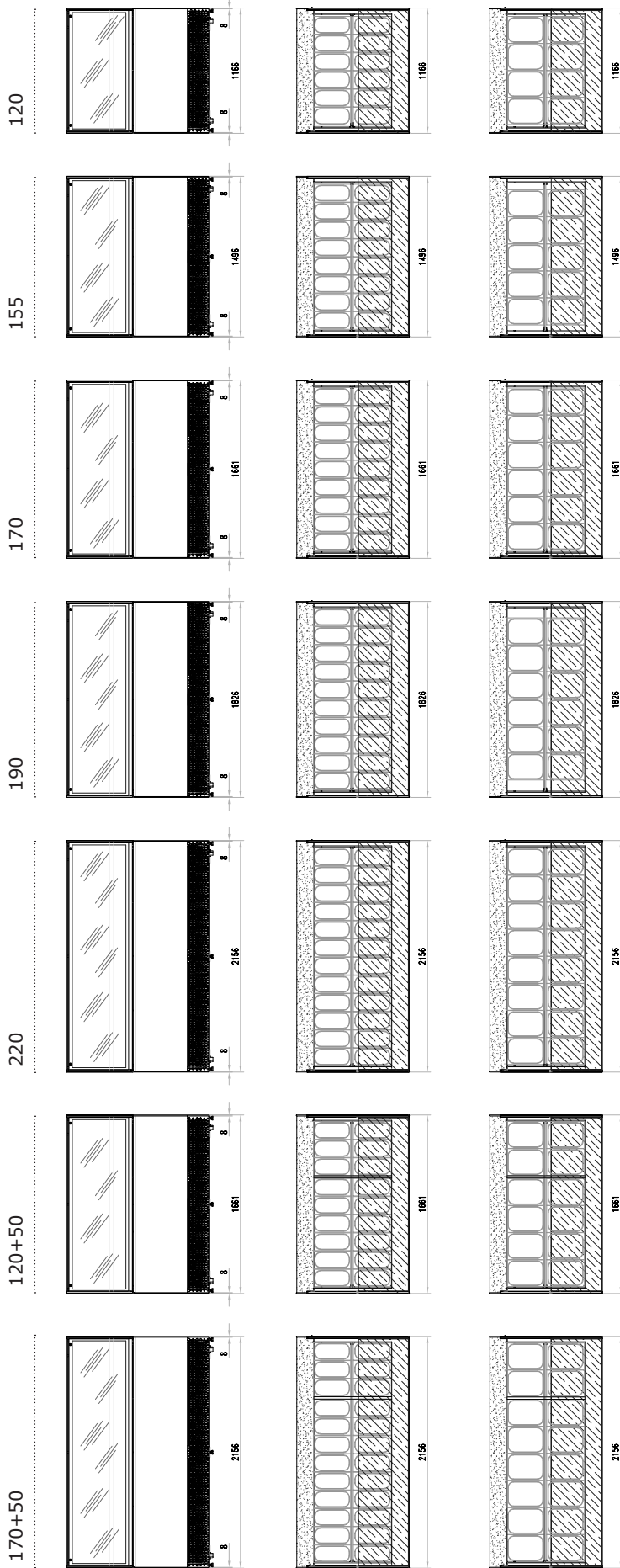


ST



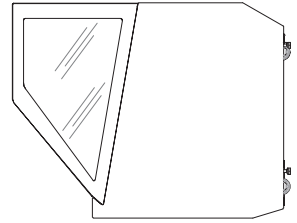
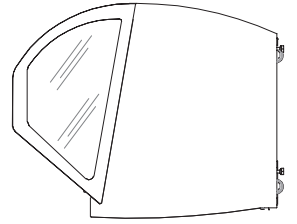
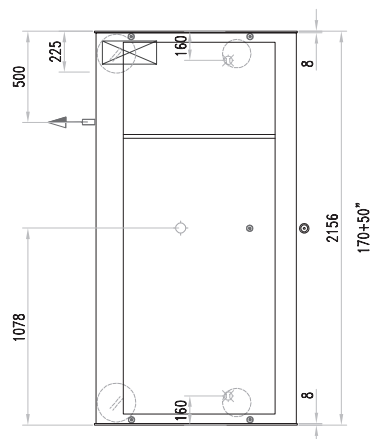
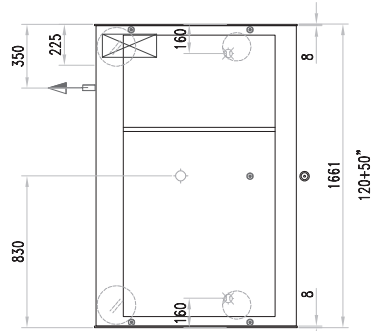
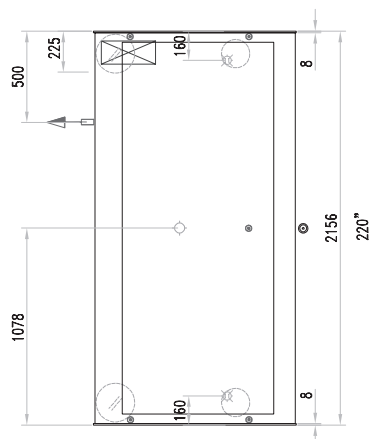
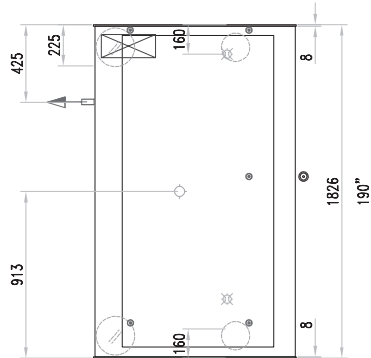
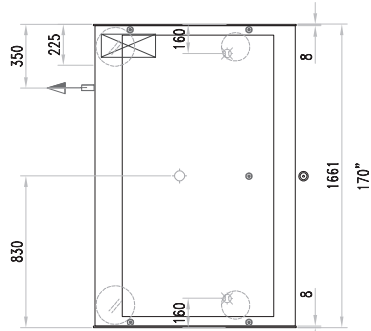
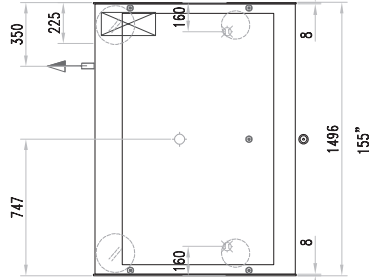
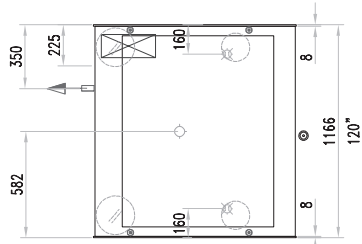
			120	155	170	190	220	120+50	170+50	
External dimensions	Length	mm	1166	1496	1661	1826	2156	1661	2156	
	Depth	LX	mm							1080
		ST	mm							1054
	Height	mm								1356
Weight (net)	Kg		200	230	260	310	360	280	380	

11.1 MODULAR ARRANGEMENT ICE CREAM CONTAINERS (OPTIONAL)



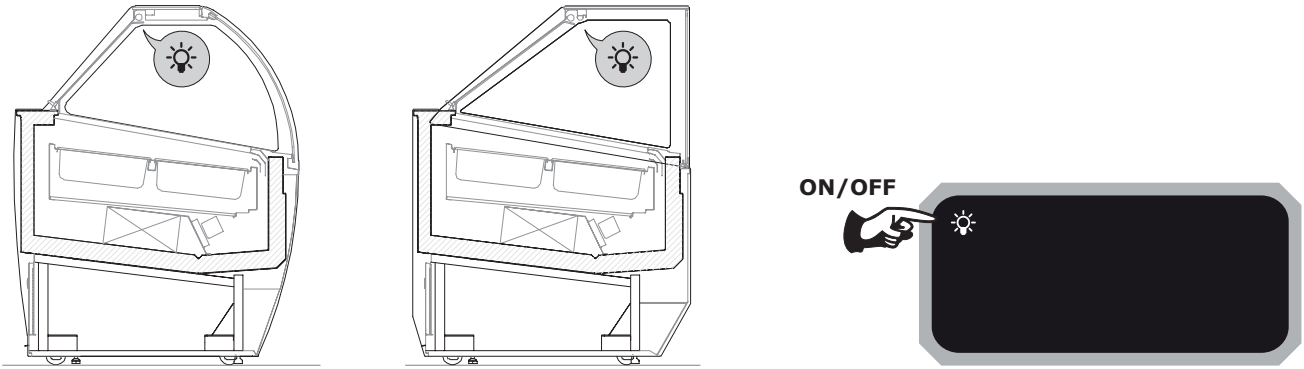
	5 lt 360 x 165 x 120H		5 lt 360 x 250 x 80H	
120	12	8	8	10
155	16	10	12	12
170	18	12	12	16
190	20	12	8+4 (12)	12+4 (16)
220	24	16		
120+50	12+6 (18)			
170+50	18+6 (24)			

11.2 TECHNICAL PLANS



	SUPPORT FEET		32
	DISCHARGE		Ø 25 mm
	GAS CONNECTION		
	CABLE OUTPUT		
	CONTROL PANEL		
	WHEEL		
	WHEEL WITH BRAKE		
	CUSTOMER SIDE		
	PASSAGE OF PIPES THROUGH THE PLATFORM		

11.3 LIGHTING (ON/OFF)

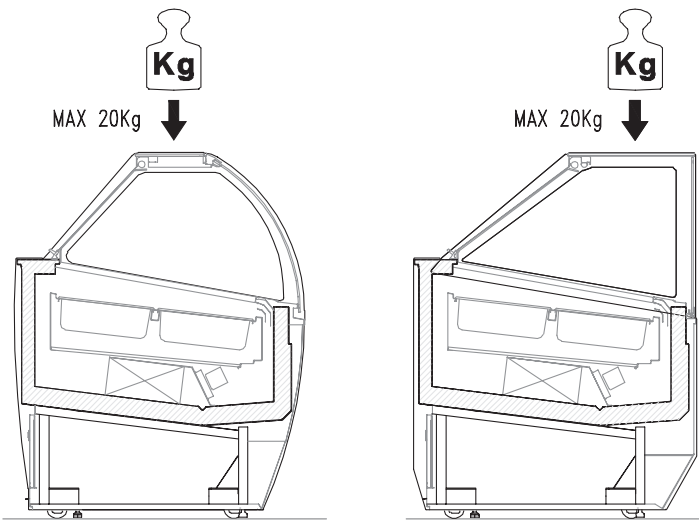


11.4 WEIGHTS ON SHELF



ATTENTION

It is **absolutely essential** to respect the indicated load limit in order to avoid deformation or breakage of the shelf.



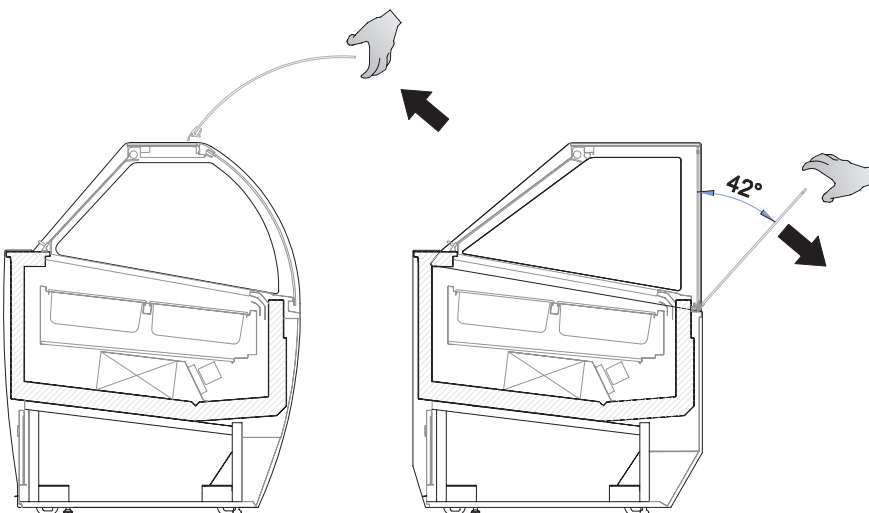
11.5 GLASS FRONT OPENING

The front glass can be opened manually as indicated below.



ATTENTION

The front glass has limited front opening.
Never force the opening beyond the permitted limit.



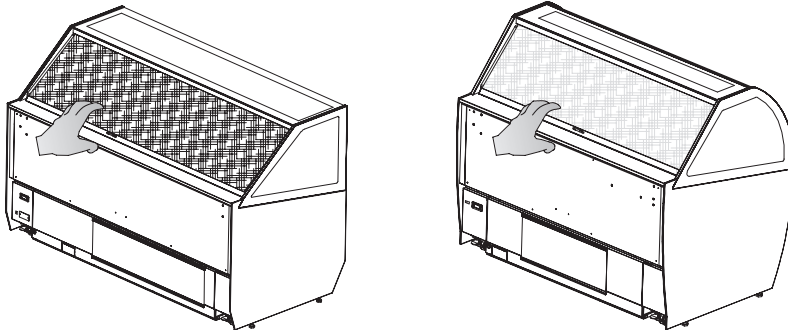
11.6 OPERATOR SIDE OPENING / CLOSING

MANUAL SELF-WINDING BLIND (STANDARD)



ATTENTION

Open and close the blind manually without forcing and ensure complete / correct closure; incomplete / correct closure negatively affects the performance of the equipment and can result in the excessive accumulation of ice on the internal walls.

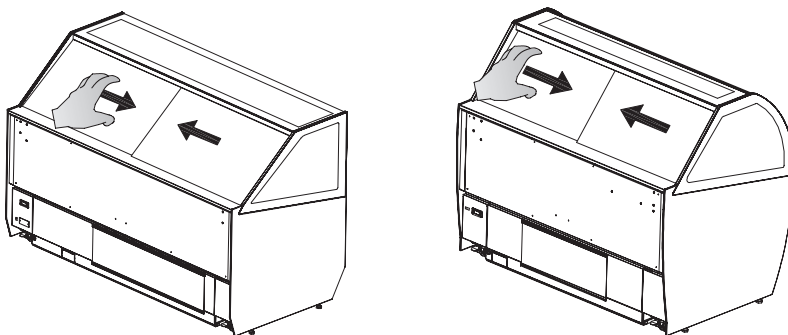


SLIDING (VARIANT)

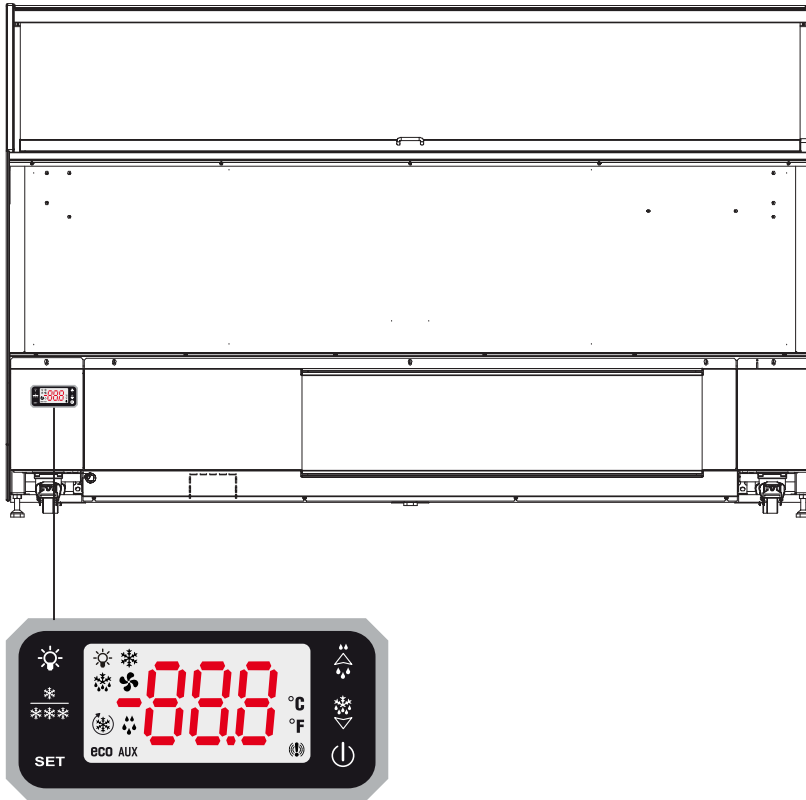


ATTENTION

Open and close the slides manually without forcing and close them, making sure they are completely closed; incorrect closure negatively affects the performance of the equipment and can result in the excessive accumulation of ice on the internal walls.

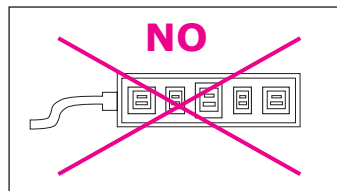
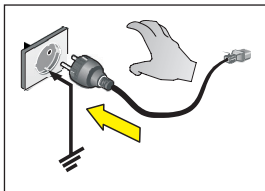


12. CONTROL PANEL



START-UP (ON)

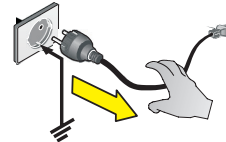
Activate the mains system master switch.
Plug the appliance in at the socket supplied by the customer, ensuring that the plug is fitted with an earth contact and that there are no multiple sockets connected to it.



The appliance starts automatically.

SWITCH OFF (OFF)

Remove the power plug manually.



ATTENTION

The electronic control board is installed already programmed. Any changes to the control board settings can be carried out exclusively by qualified technical personnel.

12.1 USER INTERFACE - XR44CH



KEY (PRESSED ONCE)



To display or edit the set point.
While programming, select a parameter or confirm a value.



DOWN ARROW KEY / MANUAL DEFROST FUNCTION
While programming, it scrolls through the parameter codes or decreases their value.
When pressed for 5 seconds, it starts the manual defrost function.



UP ARROW KEY / DOUBLE HUMIDITY FUNCTION
While programming, it scrolls through the parameter codes or increases their value.
When pressed for 5 seconds, it enables/disables ventilation depending on the setting.



DOUBLE TEMPERATURE FUNCTION (Pt Positive Temperature / Lt Negative Temperature)
When pressed for 5 seconds it goes from Positive Temperature (Pt) to Negative Temperature (Lt).



ON/OFF
When pressed for 5 seconds it turns the device on/off.



LiG
Lighting ON / OFF.

KEYS (PRESSED TOGETHER)



LOCK KEYBOARD
Press and hold the keys for a few seconds until the word "POF" appears. At this point the keyboard is locked: only the set-point and the maximum and minimum temperatures can be viewed. If a key is pressed for more than 3 seconds, the word "POF" appears.
LOCK KEYBOARD
Press and hold the keys for a few seconds until the word "POn" appears.



To enter the programming function.












To exit the programming function.

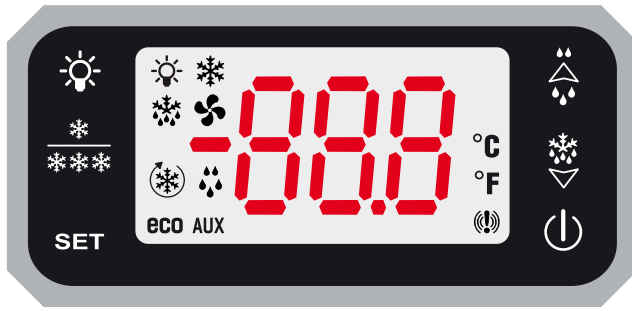
12.1 USER INTERFACE - XR44CH



LED

	ON	FLASHING
	Output active	<ul style="list-style-type: none"> • Programming. • Delay against close start-ups.
	Defrosting in progress	<ul style="list-style-type: none"> • Programming. • Dripping in progress. • Delayed fan start-up in progress.
	Temperature alarm	/
	Unit of measurement	Programming
	Fans active	Delayed activation in progress
	Energy saving in progress	/
	Continuous cycle in progress	/
	Auxiliary relay active	/
	/	Fans stopped by key

12.1 USER INTERFACE - XR44CH



SAVE TEMPERATURE (MAXIMUM and MINIMUM)



DISPLAY MINIMUM TEMPERATURE

Press and release the key; the message "Lo" will be displayed, followed by the minimum temperature reached. Press the key or wait 5 seconds to display the normal temperature again.



DISPLAY MAXIMUM TEMPERATURE

Press and release the key; the message "Hi" will be displayed, followed by the maximum temperature reached. Press the key or wait 5 seconds to display the normal temperature again.



DELETE MINIMUM / MAXIMUM TEMPERATURE

When the saved temperature is displayed, press the key for a few seconds (the letters rSt will appear). To confirm, the letters rSt will begin to flash.

DOUBLE MAPPING (POSITIVE TEMPERATURE / NEGATIVE TEMPERATURE)



CHECK MAP USED

Press and release the key, the type of map used will be displayed.

Pt: Positive Temperature

Lt: Negative Temperature



TEMPERATURE VARIATION (from Positive to Negative and vice versa)

It is possible to edit the operation map by pressing the key for 5 seconds; it will go from Positive Temperature (Pt) to Negative Temperature (Lt) and vice versa.

N.B.: after the change, the device will switch off and restart in the new mapping.

SET-POINT



DISPLAY

Press and release the key: the set-point will be displayed immediately; to go back to the temperature, wait 5 seconds or press the key again.



CHANGE

Press the key for at least 2 seconds; the set-point will be displayed and the °C LED will start to flash.



To change the value, use the UP and DOWN ARROW KEYS.



To save the new set-point, press the SET button, or wait 15 seconds to quit programming mode.

12.1.1 LIST OF ALARMS

ALARM	MEANING
P1	Faulty temperature probe
P2	Faulty first evaporator probe
P3	Faulty second evaporator probe
HA	High temperature alarm
LA	Low temperature alarm
EA	External alarm
CA	External alarm (i1F=bAL)
CA	Pressure switch alarm (i1F=PAL)
oFF	Instrument in stand-by
dA	Door open
POF	Keyboard release
POn	Keyboard locked

13. CLEANING

The materials listed below must be cleaned as follows:

STAINLESS STEEL	Only use warm water and non-aggressive detergents and then rinse and dry using a soft cloth.
ACRYLIC OR POLYCARBONATE	Wash with lukewarm water, using a soft cloth or a chamois cloth. Do not use abrasive cloths or sponges.
CURVED GLASS	Only use products specifically designed for cleaning glass. We do not recommend using tap water, which may leave calcium deposits on the surface of the glass.

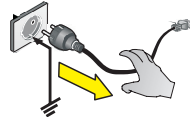
13.1 INTERNAL



ATTENTION

Do not scrape ice from the walls with pointed tools, the surface could be damaged.
Do not use high pressure appliances (e.g. steam generators).

1. Remove the product contained in the refrigerated compartment and place it immediately in a suitable refrigerated container to ensure proper storage.
2. Turn off the equipment.



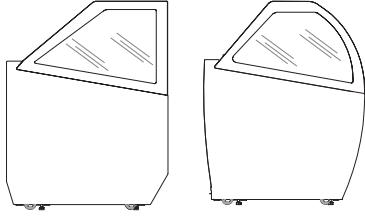
3. Remove the manually removable accessories (e.g. sliding doors, grills, ice cream containers, etc.).
4. Wait at least 4 to 6 hours, until the ice on the evaporator has melted completely, before proceeding with cleaning operations. We suggest in this regard, you wait for the next day to make sure that the defrosting is thoroughly completed. Do not use mechanical devices or other means to accelerate the defrosting process, other than those recommended by the manufacturer.
5. Remove (if present) the drain plug at the bottom of the tank to drain the defrosted water. We recommend attaching a rubber tube or other suitable material in order to aid water drainage.
6. Clean the side panels and the bottom of the tank using a mild detergent, warm water and a non-abrasive cloth or sponge. Do not use pointed tools. Rinse thoroughly and dry with an absorbent cloth.
7. If the equipment was joined to a floor drain, slide lukewarm water containing a sanitising solution suited to the specific application. In terms of quantity, the amount of solution used should be enough to remove any product residues and disinfect the whole drainage channel.
8. If the equipment is not joined to a floor drain, follow the procedure referred to above. The rinse water collected in the tank will be positioned inside the base of the apparatus. Proceed to also clean and disinfect the collection tray.
9. Fit the accessories that were removed (step 3).
10. Turn on the equipment and allow the counter to cool until it reaches the desired temperature before reintroducing foods.

13.2 CONDENSER UNIT (REMOVABLE)

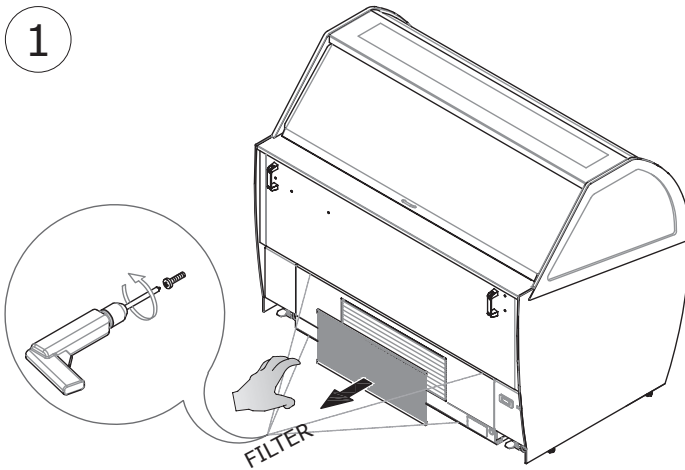


Turn off the equipment and wait a few hours until the entire condensing unit equipment has achieved a temperature close to that of the environment.

Perform the following steps to access the condensing unit.

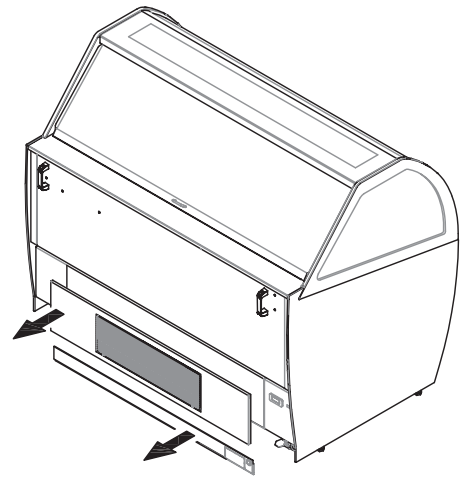


1



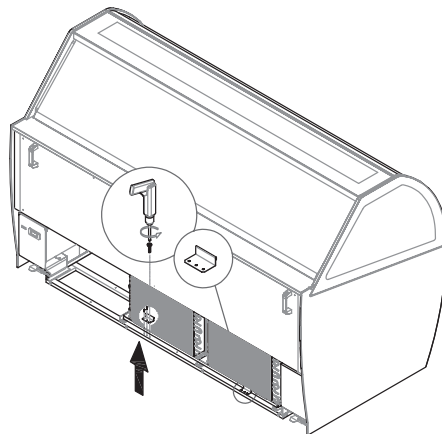
Remove the filter as indicated.

2



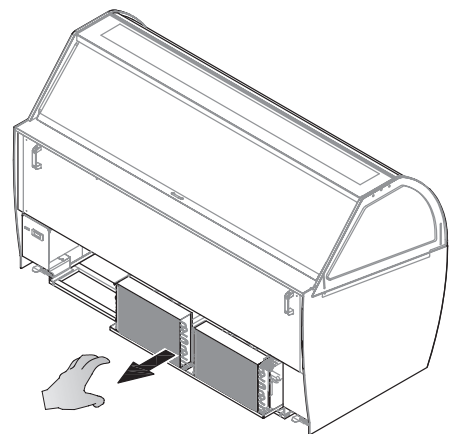
Remove the rear grills as indicated.

3



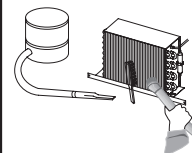
Remove the fixing brackets as indicated.

4



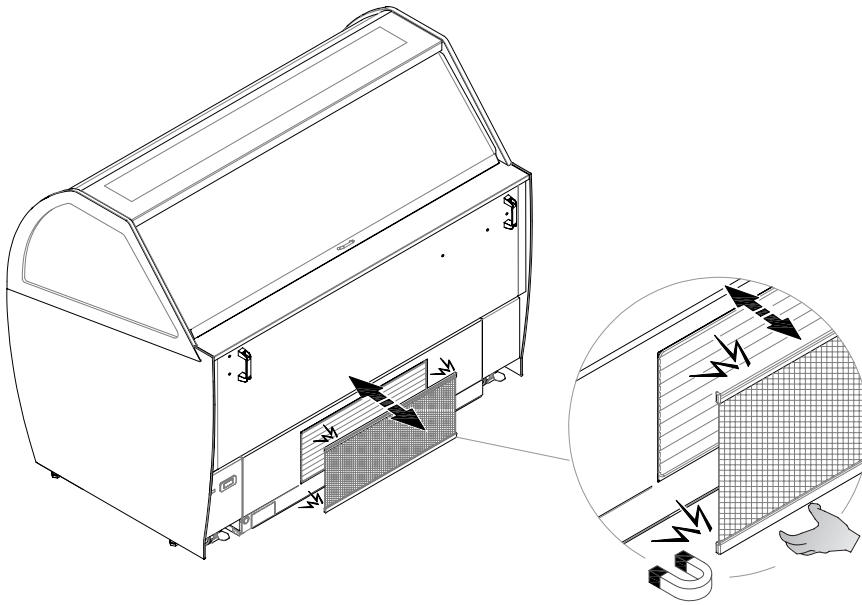
Remove the condensing unit as shown.

Clean the condensing unit using a dedicated soft bristle brush and a vacuum cleaner; carry out the operation taking care not to bend the condensing unit springs.



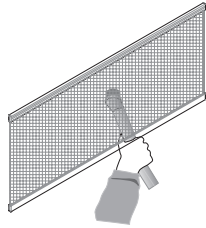
13.3 FILTER

Manually extract the filter as indicated below.



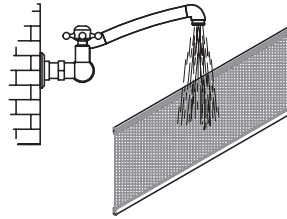
1

Vacuum dust from the filter.



2

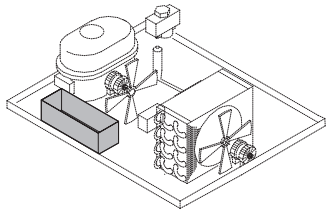
Wash with running water and wait for it dry completely before reassembling it.



13.4 DEFROST WATER COLLECTION TRAY (IF PRESENT)

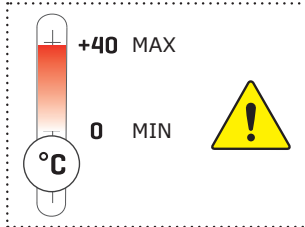


Clean according to use and requirement and in particular environmental conditions (e.g. high humidity, low ambient temperature, presence of dust, etc.) to avoid incorrect and complete evaporation of the water and / or the presence of unpleasant odours. **Disinfect** the tray with suitable products.

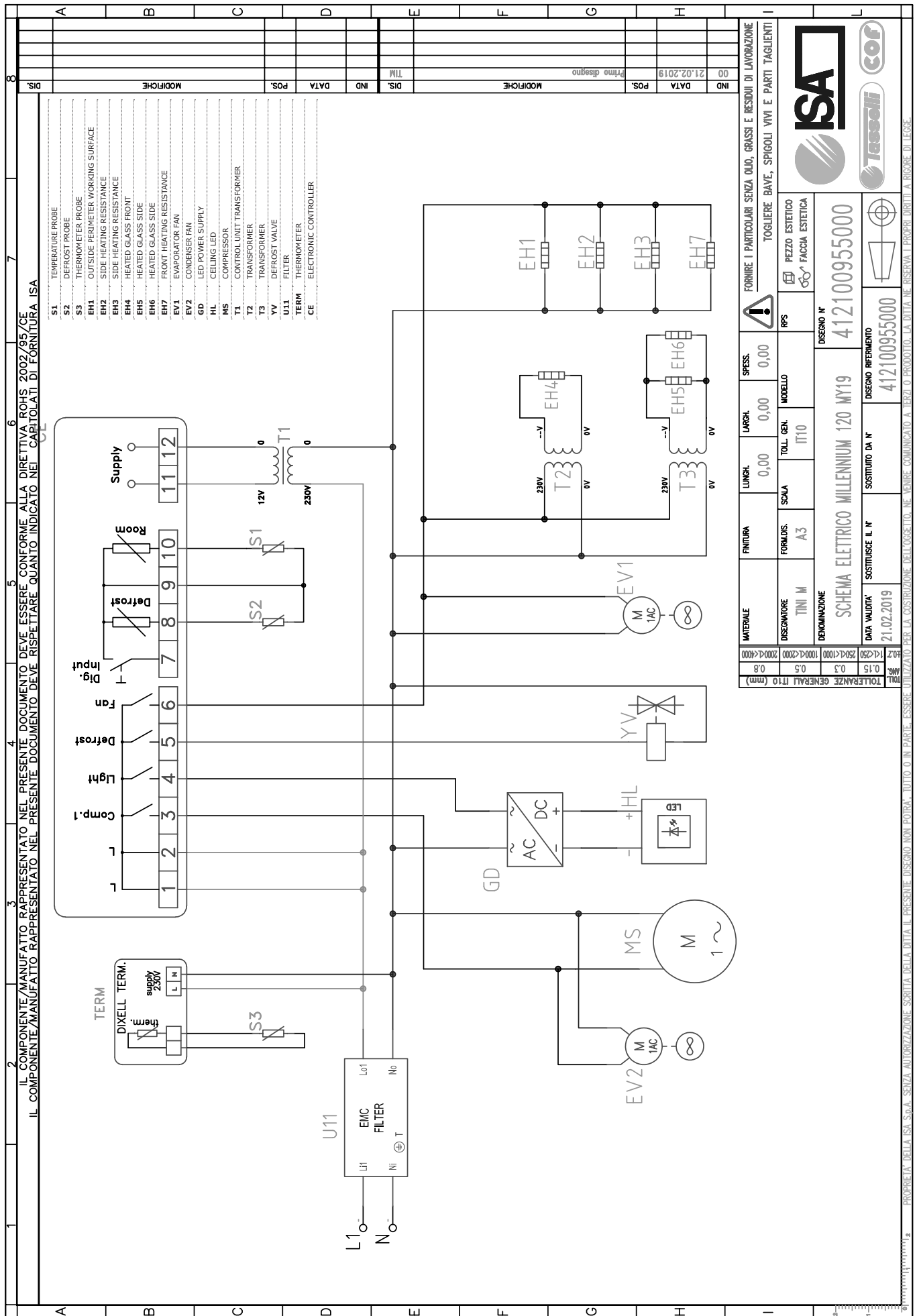


14. PROLONGED APPLIANCE SWITCH-OFF

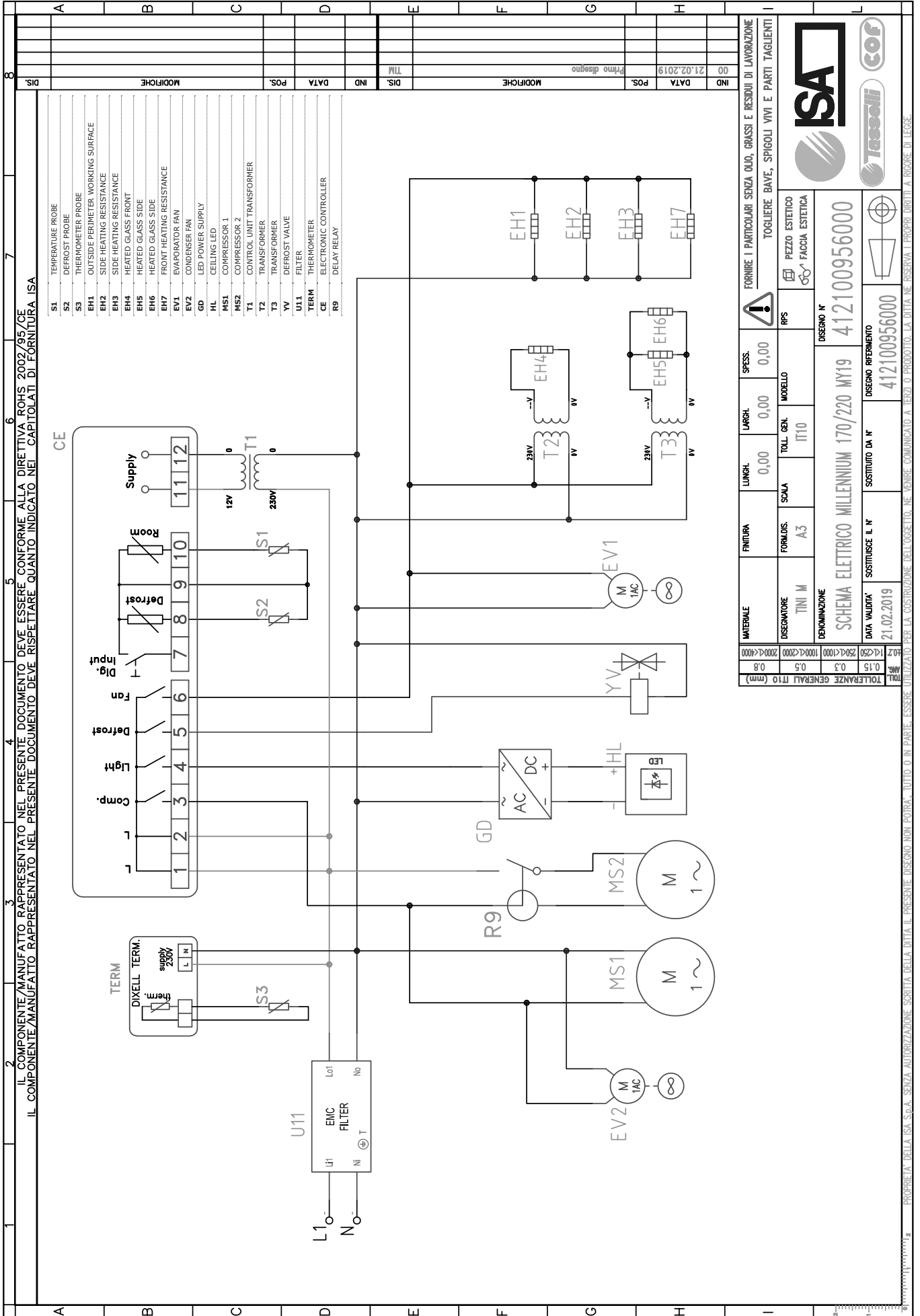
- Remove the product contained in the refrigerated compartment and place it immediately in a suitable refrigerated container to ensure proper storage.
- Open the equipment and wait for it to reach room temperature and then clean it.
- Leave the door/sliding panels open by 2-3 cm so as to guarantee circulation of the air and prevent the formation of mould and bad smells inside the appliance.
- The equipment, whether equipped with its packaging or not, must be stored with care in the warehouse or in an area protected from the elements, atmospheric agents and away from direct sunlight, at a temperature of between **0** and **+40** °C.



1 WIRING DIAGRAM - 412100955000



2 WIRING DIAGRAM - 412100956000



- S1 TEMPERATURE PROBE
- S2 DEFROST PROBE
- S3 THERMOMETER PROBE
- EH1 OUTSIDE PERIMETER WORKING SURFACE
- EH2 SIDE HEATING RESISTANCE
- EH3 SIDE HEATING RESISTANCE
- EH4 HEATED GLASS FRONT
- EH5 HEATED GLASS SIDE
- EH6 HEATED GLASS SIDE
- EH7 FRONT HEATING RESISTANCE
- EV1 EVAPORATOR FAN
- EV2 CONDENSER FAN
- GD LED POWER SUPPLY
- HL CEILING LED
- MS1 COMPRESSOR 1
- MS2 COMPRESSOR 2
- T1 CONTROL UNIT TRANSFORMER
- T2 TRANSFORMER
- T3 TRANSFORMER
- YV DEFROST VALVE
- U11 FILTER
- TERM THERMOMETER
- CE ELECTRONIC CONTROLLER
- R9 DELAY RELAY

IND	DATA	POS.	MODIFICHE	IND	DATA	POS.	MODIFICHE
00	21.02.2019		Primo disegno				

MATERIALE	FINITURA	LUNGH.	LARGH.	SPESS.	FORMID.	SCALA	TOLL. GEN.	MODELLO	RPS
		0,00	0,00	0,00	A3	IT10			

DISEGNO N°	DESIGNO RIFERIMENTO
412100956000	412100956000

DATA VALIDITA'	SOSTITUISCE IL N°	SOSTITUITO DA N°	DESIGNO RIFERIMENTO
21.02.2019			412100956000

FORMID.	SCALA	TOLL. GEN.	MODELLO
1:1<250	250<1:1000	1000<1:1000	2000<1:4000

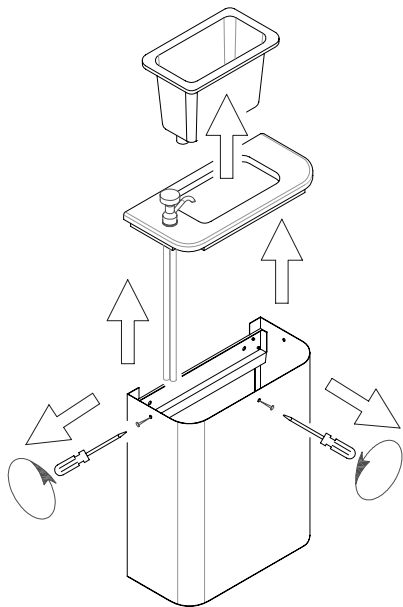
SCALE	TOLLERANZE GENERALI IT10 (mm)
1:1	0,15
1:2	0,3
1:5	0,5
1:10	0,8

FORMARE I PARTICOLARI SENZA OLIO, GRASSI E RESIDUI DI LAVORAZIONE
TOGLIERE BAVE, SPIGOLI VIVI E PARTI TAGLIANTI

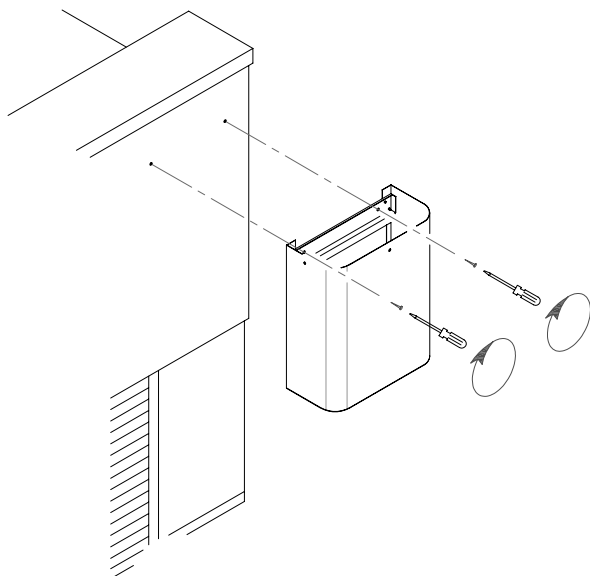
PROPRIETA' DELLA ISA S.p.A. SENZA AUTORIZZAZIONE SCRITTA DELLA DITTA IL PRESENTE DISEGNO NON POTRA' TUTTO O IN PARTE, ESSERE UTILIZZATO PER LA COSTRUZIONE DELL'OGGETTO, NE' VENIRE COMUNICATO A TERZI O PRODOTTO. LA DITTA NE' RISERVA I PROPRI DIRITTI A RICORRE DI LEGGE.

3 ASSEMBLY OF PORTIONER WASHER (OPTIONAL)

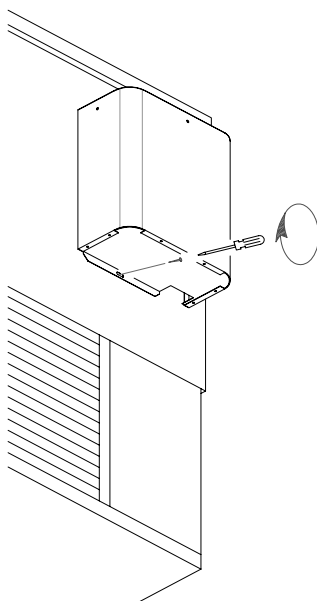
1



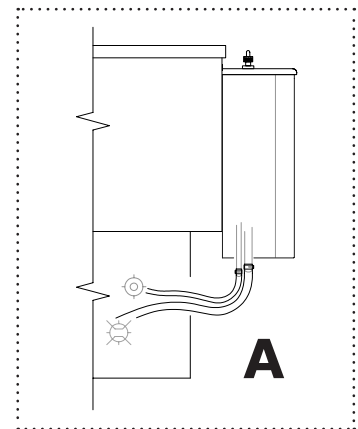
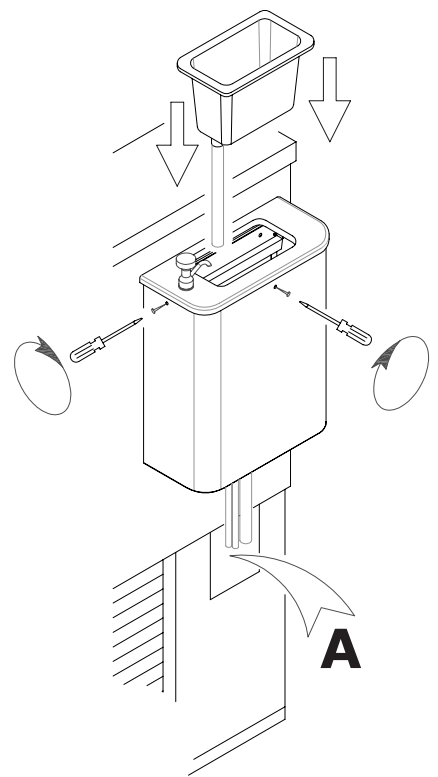
2



3



4



DISCHARGE



WATER CONNECTION

