

Instruction Manual

Please read this instruction manual carefully
before operating the unit.



Drawer Minibars

Model: TD50-Series

Introduction

Thank you for choosing our drawer minibar. This minibar is designed to improve the comfort of your life and entertainment. This compressor cooling system minibar is super quiet operation and high efficiency of small refrigeration appliance, originally designed and developed for guest rooms in star hotels, now widely used in many other applications, such as cruise ships, touring trailers, apartments, dormitories and offices. In view of the features of ultra-low operating sound, rapid cooling, ultra-low energy consumption and novel design, you will fully enjoy the convenience and comfort it brings to you in the future use.

This minibar needs good ventilation, cannot be used in a closed environment.

Please read this instruction carefully before using this minibar. When using it, please always follow the basic electrical safety precautions. This easy-to-use manual will guide you to getting the best use of your drawer minibar.

Reference information

Please record the following information for future reference. You will be required to present the following information to obtain guaranteed warranty.

Model:

Serial number:

Date of purchase:

Place of purchase:

The above information can be obtained from rating label on this unit. Please keep this manual and your sales receipt as a permanent record of purchase.

Content

1. Safety guidelines
 - 1.1 Safety Tips
 - 1.2 Introduction to Safe Use
2. Accessories
3. Minibar details
 - 3.1 Minibar Schematic diagram
 - 3.2 Cooling System
4. Installation and Use Instructions
 - 4.1 installation
 - 4.2 Ventilation Requirements
 - 4.3 Power Connection
 - 4.4 Storage items and drawer dimensions
 - 4.5 Temperature Setting Description
 - 4.6 Energy Saving Tips
 - 4.7 Interior Lighting
 - 4.8 Installation and modification of door panel
5. Daily cleaning and maintenance
 - 5.1 Cleaning Instructions
 - 5.2 Maintenance Instructions
6. Troubleshoots
7. After-sales service
8. Minibar technical parameters
9. Declaration of toxic and hazardous substances
10. Disposal
11. Minibar implementation standards

1 Safety guidelines

1.1 Safety tips

- Please read this manual carefully before using this minibar and operate according to relevant instructions.
- Please confirm voltage and frequency with the rated voltage and frequency of the minibar before use, do not connect the circuit which does not match.
- The back of the minibar is hot during normal operation. Do not touch the hot spot, otherwise it may cause scalding.
- children shall not play with the appliance.
- cleaning and user maintenance shall not be made by children without supervision.
- If the power cord is damaged, do not touch the damaged position and immediately cut off the power supply, and operate according to the after-sales guidance.
- Do not add refrigerant without authorization. If the minibar is not cooling properly or not cooling, please follow the after-sales instructions.
- Do not change the cooling system and circuit of the minibar without authorization.
- Do not move the minibar when it is powered on. If you want to move it, please cut off the power and take out items inside. After the heat dissipates from the back of the minibar, you can move it.
- When cleaning and maintenance, make sure to cut off the power supply.
- this appliance can be used by children aged from 8 years and above and persons with reduced physical, sensory or mental capabilities or lack of experience and knowledge if they have been given supervision or instruction concerning use of the appliance in a safe way and understand the hazards involved.

1.2 Introduction to safe use

- This minibar is designed for indoor use, do not put it outdoor for using.
- Do not place the minibar near the place of high-temperature heat source, such as radiator, oven, and direct sunlight, etc.
- Do not place this minibar near water, such as bathroom, swimming pool, etc.
- Power supply must be reliably grounded.
- Do not use the modified plug or self-extension cable.
- Before the temperature drops to low enough, do not put food in in case that they will get deterioration, decay.
- If the power supply is damaged, it must be replaced by the supplier, its service agent, or a qualified person, to avoid danger.
- Do not try to fix or repair the LED lights or turn on the back grill, please ask the supplier for help.
- Cooling system contains high pressure refrigerant, please do not damage it, its maintenance must be carried out by professionals.
- The device should not be used by persons (including children) who lack physical, sensory, or mental capacity or experience and knowledge.
- When discarding or storing this minibar as waste, it is recommended that you remove the door and take out the shelf. This can avoid harm to children.

The foaming material of this minibar is combustible, please be isolated from the fire source when abandoned, and it cannot be burned. Please submit to a qualified professional recycling company, to avoid environmental damage or other hazards.

Warning: There should be no obstruction around the minibar or in the built-in structure, keep good ventilation.

Warning: Do not use mechanical equipment or other means to speed up the defrosting process except as recommended by the manufacturer.

Warning: Do not damage refrigeration loop.

Warning: Do not use electrical appliances inside this minibar except for those recommended by the manufacturer.

Warning: To avoid a hazard due to instability of the appliance, it must be fixed in accordance with the instructions.

Warning: To avoid a hazard due to instability of the appliance, it must be fixed in accordance with the instructions.

Warning: When positioning the appliance, ensure the supply cord is not trapped or damaged.

Warning: Do not locate multiple portable socket-outlets or portable power supplies at the rear of the appliance.

Do not store explosives such as flame spray inside this minibar.

The appliance is used for household and similar purposes, such as:

- kitchen areas in shops, offices, or other workplaces.
- customers of farms as well as hotels, motels, and residential environments.
- Guesthouse environment.
- Restaurant and similar non-retail applications.



Warning: Risk of fire / Flammable materials



Disposal

Help protect the environment and human health. Put the packing in applicable containers to recycle it. Help to recycle waste of electrical and electronic appliances. Do not dispose appliances marked with this symbol with the household waste. Return the product to your local recycling facility or contact your municipal office.

2 Accessories

• When all packaging is removed, make sure the minibar is not damaged. In case of any damage caused by transportation, please immediately inform the logistic company and the after-sales service people of the minibar.

• Please check in detail whether the following items (accessories) are included

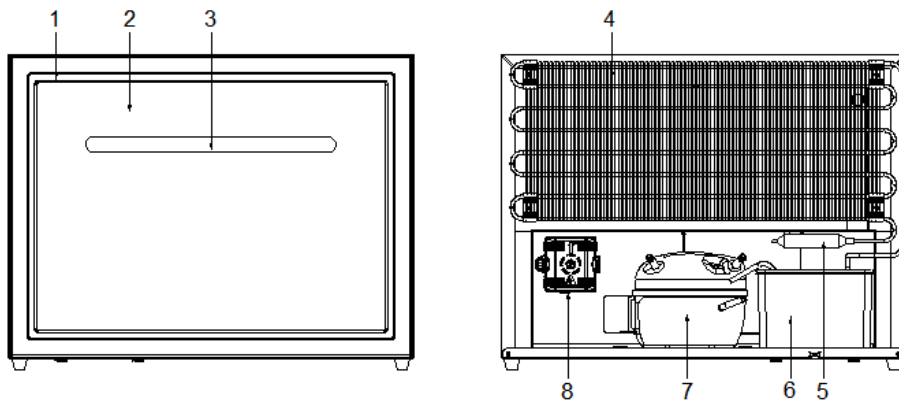
Item		Quantity
Drawer minibar		1
Power cord(installed)		1
Instruction Manual		1

Ps: The following items (accessories) shall be confirmed according to the minibar model.

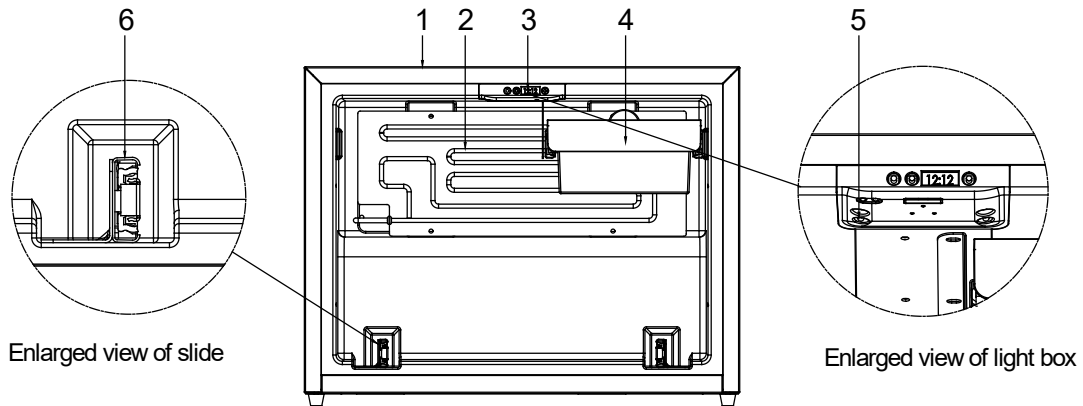
	XC-50A	XC-50C	XC-50B
Screw for fixing	10	10	16
Curved aluminum pull handle	1	1	N/A

3 Product Introduction

3.1 Minibar drawing

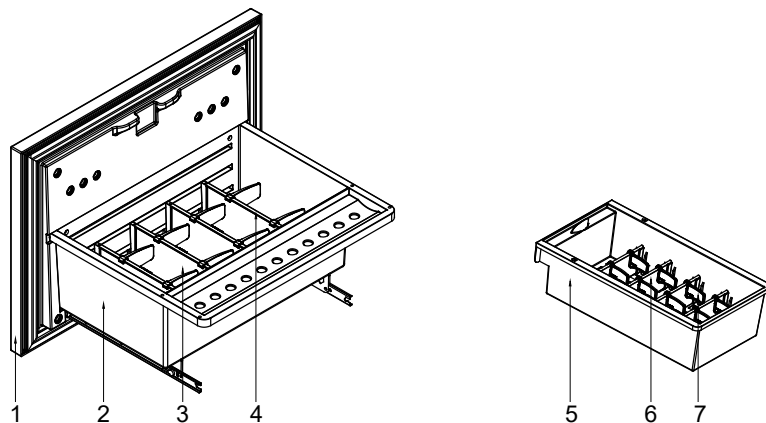


- 1: Door frame 2: Door panel 3: Pull handle 4: Condenser
 5: Dry filter 6: Water box 7: Compressor 8: Main control power board box



Front view of minibar

- 1: Cabinet 2: Evaporator 3: Light box 4: Small drawer 5: Light 6: Damping slide rail



Big drawer diagram

Small drawer diagram

- 1: Door 2: Big drawer 3: Divider 4: Big bottle stopper
 5: Small top drawer 6: Divider 7: Small bottle stopper

3.2 Cooling System

Drawer minibars use super quiet and efficient compressor refrigeration system, with ultra-low noise in running, fast cooling, and ultra-low energy consumption.

! warning

- ② If you suspect that the cooling system is faulty, stop using the minibar and cut off the power supply.
- ② the cooling system adopts fully sealed design, it does not need to add refrigerant under normal use. If you suspect that the cooling system is defective, do not repair by yourselves, please contact the supplier or your local service provider as soon as possible.

4 Installation

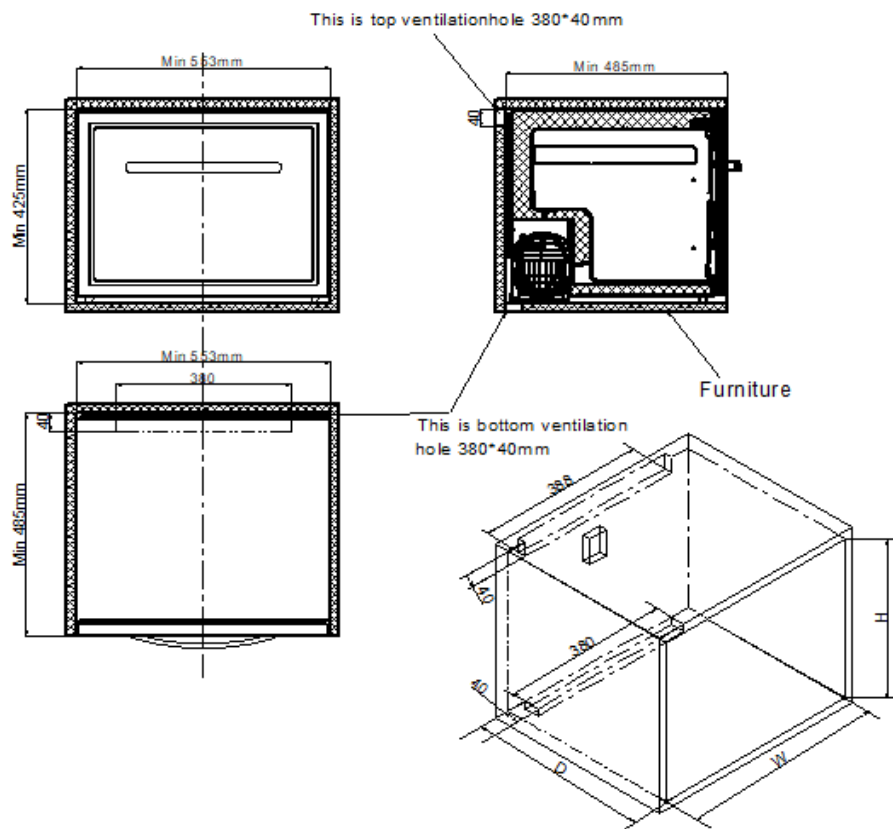
4.1 Installation

Make sure that the space of the installation position conforms to the minimum installation space of the minibar and the ventilation requirements.

Minimum size requirement for the furniture is 553x485x425 (WxDxH mm) (built-in)

If the furniture ventilated on both sides, the minibar needs to be 60mm away from the back of the furniture. (See "[Heat Dissipation and Ventilation Guidelines](#)")

Furniture drawing





Fix minibar in the furniture

Method 1

- 1) Operation: after the minibar is put straight, fix its bottom plates to furniture's bottom with white zinc self-tapping screws 4*12;
- 2) Note: the two positions are for the front and rear mounting brackets. When opening the air trough on the furniture's bottom, they should not be occupied, otherwise the minibar cannot be fixed normally.
- 3) Put the minibar into the furniture: insert the power cord plug into the socket first, close the minibar by remote control, and then put the minibar into the cabinet. Pay attention to the contact between the minibar and the furniture to prevent the furniture being scratched and pay attention to the position of the power cord to avoid power cord being pressed by the minibar.
- 4) Note: The power supply of the minibar must be turned off before moving, to prevent the compressor from being damaged.

Method 2

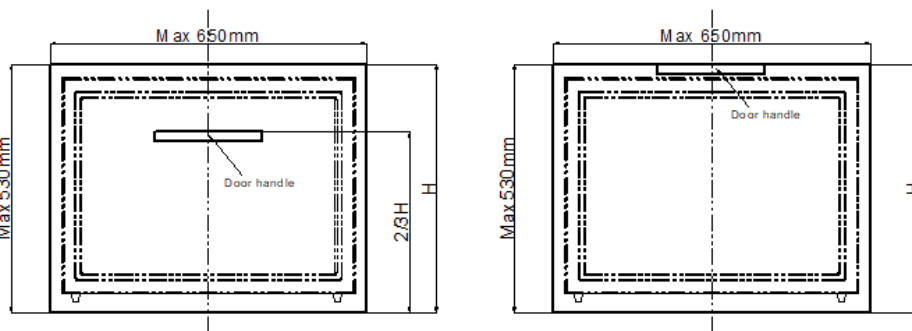
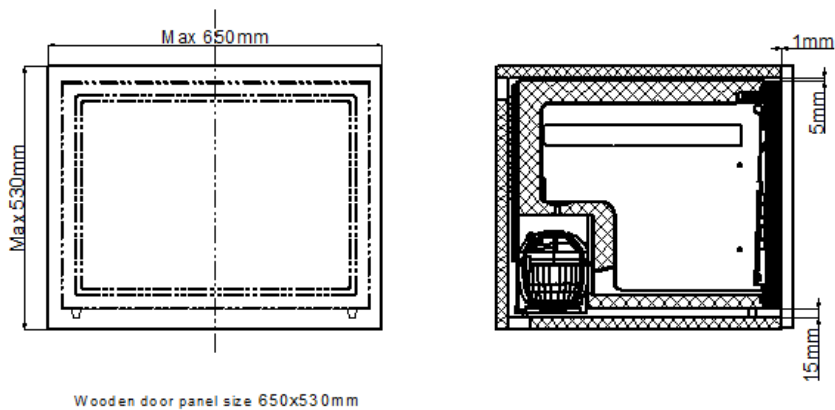
- 1) Operation: after the minibar is put straight, fix the minibar to furniture panels from both sides with white zinc self-tapping screws 4*12;
- 2) Note: This method is only applicable to that gap at sides between the minibar and the furniture is very small.
- 3) Put the minibar into the furniture: insert the power cord plug into the socket first, close the minibar by remote control, and then put the minibar into the cabinet. Pay attention to the contact between the minibar and the furniture to prevent the furniture being scratched and pay attention to the position of the power cord to avoid power cord being pressed by the minibar.
- 4) Note: The power supply of the minibar must be turned off before moving it, to prevent the compressor from being damaged.

4.1.1 Wood Door Panel Size Requirements (as shown below)

- 1) : The size of the furniture panel should be within 650mm at width and 530mm at height.
- 2) : The total weight of furniture panel should be within 4kg.

4.1.2 Wooden door panel installation

As shown in below pictures: According to the left structure design, the distance between the upper and lower ends of the furniture door installed on the minibar and the wooden cabinet shall be no less than 5mm and 15mm respectively, otherwise the gap between the cabinet door and the cabinet body will be too small to cause scratching of the pot, and in serious cases, it may lead to difficult or unable to open the minibar door. In the structural design of the right side, the distance between the wooden panel of the minibar and the surface of the wooden cabinet should not be less than 1mm.



4.1.3 In

Positior

Does not exceed the top of the minibar and is mounted on the vertical center line of the minibar (see picture above).

4.3 Power Connection

Please insert the power plug into the proper socket with ground pin. Once powered on, the minibar starts to work. It takes about 3-5 hours for the minibar to reach the setting temperature for the first time, depending on the number of drinks stored and the ambient temperature.

- ① Before powering on, please check whether the parameters of voltage and power on the label in the minibar are appropriate. If not, please contact the supplier or local service provider as soon as possible.
- ② Power supply must be continuous uninterrupted, otherwise it will affect the normal operation of the minibar.

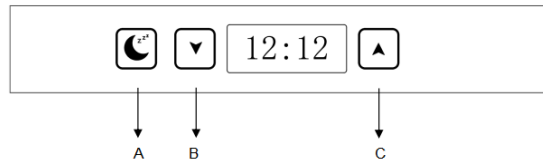
If the supply cord is damaged, to avoid danger, it must be replaced by a professional.

4.4 Storage suggestion and Drawer size

- Big drawer size: 408x240x305 mm (WxDxH), the maximum height is 300mm.
- Small drawer size: 165x305x110m m (WxDxH), the maximum height is 115mm.

! Pay attention to

This minibar is for non-fresh food storage, suitable for beverage, packed chocolate/biscuits and other non-fresh food, do not store raw meat, food, and drugs.



4.5 Temperature setting and operation instructions:

- Keys B and C for adjustment on temperature, the screen displays thermostat level.
- Level 1: The unit is set to a high temperature level 11-13°C (±1°C).
- Level 2: The unit is set to a medium temperature level 7-9 °C (±1°C).
- Level 3 : The unit is set to a low temperature 4-6 °C (±1°C).

! Warm prompt

- High temperature is energy-saving mode, suitable for places with low temperature and cold season.
- Medium temperature is suitable for storing common drinks.
- Low temperature is suitable for cold beer.
- The default setting at factory is level 3.

4.6 Energy Saving Tips

- Please ensure that the unit has good ventilation and avoid being near other heat sources.
- It should be as fast as possible to open the drawer and take items, try to reduce numbers of opening the drawer, these will avoid too much temperature rising inside the unit.
- Items put in the unit should not be too many, otherwise it will affect air convection in the unit and increase energy consumption.
- When closing the door, please ensure that the door seal is completely attached to the unit, so as to avoid the outflow of cold air.

4.7 Interior Lighting

This unit uses high brightness, no heat, long service life LED's.

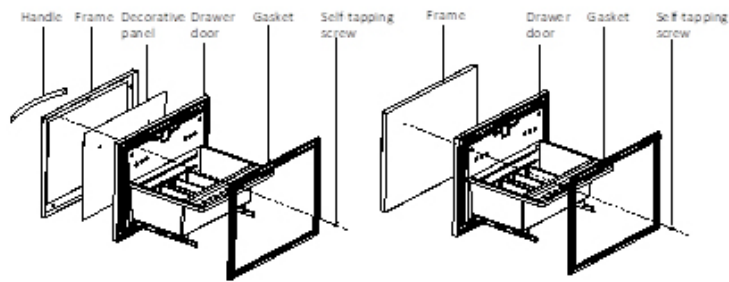
As interior lighting. Light ON/OFF is controlled by the drawer door open/close.

When the drawer is opened, the lamp will be lit; when the drawer is closed, the light will go out.

! Pay attention to:

The light is powered by 5V DC voltage. If there is any fault, please contact the supplier or your local service provider or ask professionals for maintenance.

(2) When disassembling the lamp board, please wear antistatic gloves or bracelets to avoid electrostatic damage to the lamp circuit.



TD50A

TD50C

4.8.1 Installing or replacing decorative Door Panels for TD50A:

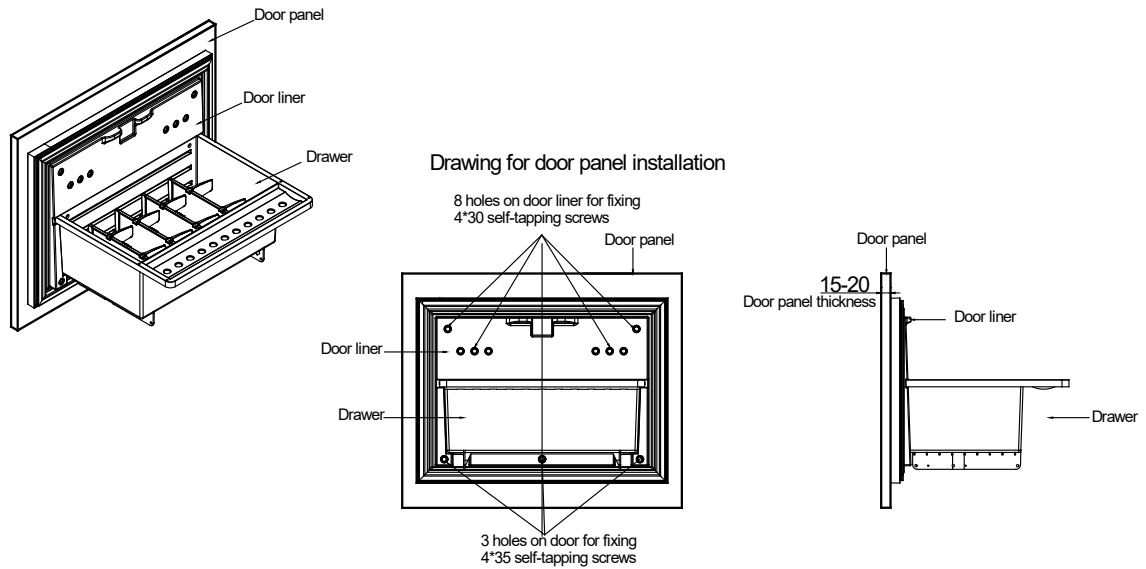
- 1) : Remove the door seal.
- 2) : Remove the handle hole plug.
- 3) : Loosen bolts fixing pull handle and remove the handle.
- 4) : Loosen the self-tapping screws fixing door frame and remove the door frame.
- 5) : Replace the new decorative door panel.
- 6) : Install the door frame and fix it with self-tapping screws.
- 7) : Install the handle and bolt it firmly.
- 8) : Install the handle hole plug.
- 9) : Install door seals.

Note: Do not remove the drawer during operation.

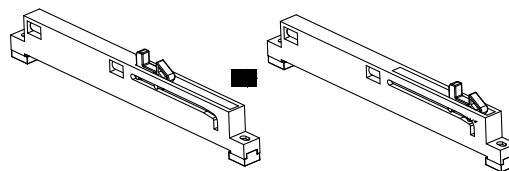
4.8.2 Install the wooden door panel for TD50C and precautions.

- 1) : Tear off the paper of the Velcro, then align the wooden door panel with the position.
- 2) : Remove the hole plugs (11pieces).
- 3) : install the wooden door panel with self-tapping screws (11pieces)from inside to outside of the drawer pane.
- 4) : Install the hole plugs (11pieces).
- 5) : Check whether the door seal completely seals the cabinet.
- 6) : If not, adjust the door.

Note: Do not remove the drawer during operation.



attached picture 1



attached picture 2

5 daily cleaning and maintenance

5.1 Cleaning

Before cleaning, please make sure that the unit is not powered on. The correct cleaning method is: wipe the internal and external surfaces and accessories with a soft wet cloth, or wipe with a little neutral detergent and then wash with a wet cloth, and finally wipe with a clean dry cloth.

To avoid damage to the unit, DO NOT

- ×Use boiling water, gasoline, alcohol, washing powder or water, such as irritant and corrosive detergent to wipe.
- ×Spray the unit directly with water.

※Does pay attention to

If the cord of the power supply is damaged, it must be replaced by professionals, its maintenance department or similar departments to avoid danger. The foam material of the unit is combustible foam material, and the foam material is marked "cyclopentane " on the outer shell of the minibar.

When the minibar is scrapped, please give it to the sales shop or special scrapped organization.

5.2 Maintenance

- √ Clean and maintain the unit regularly, as described in Section 5.1. Unplug the power supply before cleaning.
- √ Door seal must be always kept clean to avoid mildew. Do not stick with oily material, to avoid damage to the door seal. It should be checked regularly to see whether the aging deformation leads to poor sealing.
- √ Clean dust and cloth from the condenser at least once a year.

√ It is recommended to do regular safety inspection of the circuits by qualified personnel.

6 Troubleshoots

Troubleshoots	Possible cause	Solutions
The unit does not work, light is not on when door is opened.	No power supply	Please check the socket.
	Failure of the main control board	Please check whether there is output from the "OUT" terminal of the main control board. If not, contact the supplier or your local service provider to replace the main control board.
	Failure of the main control board	Check whether there is output from the LAMP terminal of the main control circuit board. If not, contact the supplier or your local service provider to replace the main control board.
The unit works normally, but light is not on when door is opened.	Failure of the lamp PCB	Please check whether there is output from the LAMP terminal of the main control circuit board. If not, contact the supplier or your local service provider to replace the main control board.
	Failure of cooling system	Contact the supplier or your local service provider for service.
No cooling, but light is on when door opened	Improper setting of thermostat.	Use the remote to set a lower level.
Not cool enough	Poor ventilation	Please check whether the ventilation design meets the ventilation requirements as shown in Section 4 and 2 of the manuals.
	Cooling system failure	Please contact the supplier your local service provider for service.
	Door is not closed or sealed well for a long time.	Check whether the door seal can be completely sealed after closing, whether the door seal deformation; Check whether the rail buffer is damaged.
Serious icing	Door is not closed or sealed well for a long time	Check whether the door seal after closing can be completely sealed, whether the door seal deformation; Check whether the rail buffer is damaged.
There is too much condensed water in the minibar or overflow of the water box	The gap between the door body of the water receiving box and the surface of the wooden cabinet is too small.	If there is a scratch, please check whether the installation of the cabinet door meets the installation requirements as shown in 4.1.2 in the manual
Door cannot be opened or closed properly and smoothly	The rail does not slide smoothly	Replace the rail
	Damper is not reset	If the buffer is not reset, open the cabinet door and check the black buffer on both sides of the drawer. If it is found to be in the attached picture 1 state, move its positioning block outward, as shown in the attached picture 2 state

	The distance between the rail and the buffer is too small.	Check the buffer and the rail, and adjust the distance between the protrusion of the rail and the buffer to 2~3mm, as shown in Figure 31 in 3.1 Minibar Schematic diagram
--	--	---

7LIMITED WARRANTY

As a condition to any warranty service obligation, the consumer must present this Warranty Certificate along with a copy of the original purchase invoice/receipt.

THIS WARRANTY DOES NOT COVER:

- 1) Damage, accidental or otherwise, to the drawer minibar while in the possession of a consumer not caused by a defect in material or workmanship.
- 2) Damage caused by consumer misuse, tampering, or failure to follow the care and special handling provisions in the instructions.
- 3) Damage to the finish of the case, or other appearance parts caused by wear
- 4) Damage caused by repairs or alterations of the drawer minibar by anyone other than those authorized by the manufacturer.
- 5) Freight and Insurance cost for the warranty service

ALL WARRANTIES, INCLUDING ANY IMPLIED WARRANTY OF MERCHANT ABILITY ARE LIMITED TO CLAIMED DURATION.THE MANUFACTURER DISCLAIMS ANY LIABILITY FOR CONSEQUENTIAL OR INCIDENTAL DAMAGES.

8 Technical Specification

Model	DC-50
Category	Drawer minibar
Climate class	T
Anti-shock protection type	I
Rated voltage	220V~
Rated power	40 W
Rated current	0.2 A
Rated frequency	50 Hz
Energy class	G
Cooling	The maximum cooling temperature is 32 lower than the ambient.
Refrigerant	R600a(20g)
Foaming	Cyclopentane
Total capacity	52 L
Effective capacity	45 L
Noise level	38 dB
Dimension (WxDxH)	1) 550x508x423mm (Depth with door handle) 2) 550x480x423mm (Depth without decorative panel)
Net weight	1) 25.5 kgs 2) 25.0 kgs

10. Disposal

Do not dispose this minibar as unsorted municipal waste. This appliance includes flammable refrigerant and foaming agent and should be sent to special disposal center applicable for treatment.

4.2 Ventilation Requirements

! In all cases, please ensure that there are cold air inlets near the lower back of the unit.

! In all cases, it is also necessary to ensure that hot air outlets are available and located above the back of the unit.

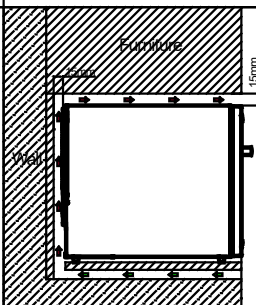
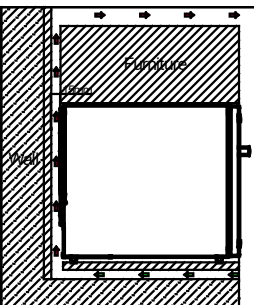
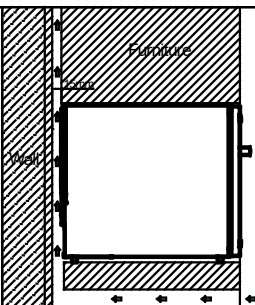
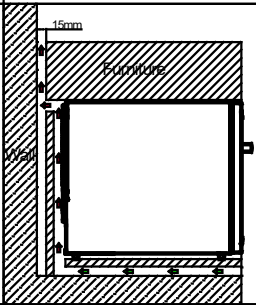
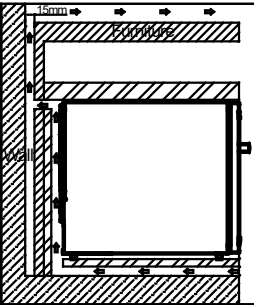
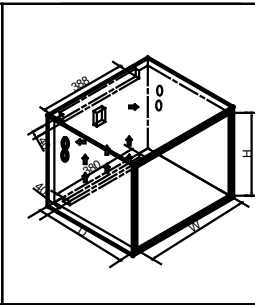
! The air flowing into the cold air intake must not have been heated beforehand.

Please refer to " Suggestion on the Ventilation " in the manual for details.

! Pay attention to:

Performance problems or damages caused by inadequate ventilation are not covered by the warranty.

Suggestion on the ventilation

Installation instruction			
Ventilation method			
Cold air inlet	Front bottom	Front bottom	Front bottom
Hole size	380x40mm (WxDmm)	380x40mm (WxDmm)	380x40mm (WxDmm)
Ventilation cross section	$\geq 150\text{cm}^2$	$\geq 150\text{cm}^2$	$\geq 150\text{cm}^2$
Hot air outlet	Front top of minibar, connected to the room	Front top of furniture, connected to the room	Rear top of furniture, connected to the room
Installation instruction			
Ventilation method			
Cold air inlet	Front bottom	Front bottom	Front bottom
Hole size	380x40mm (WxDmm)	380x40mm (WxDmm)	380x40mm (WxDmm)
Ventilation cross section	$\geq 150\text{cm}^2$	$\geq 150\text{cm}^2$	$\geq 150\text{cm}^2$
Hot air outlet	Rear top of furniture, connected to the room	Front top of furniture, connected to the room	Sides of minibar, connected to the room