

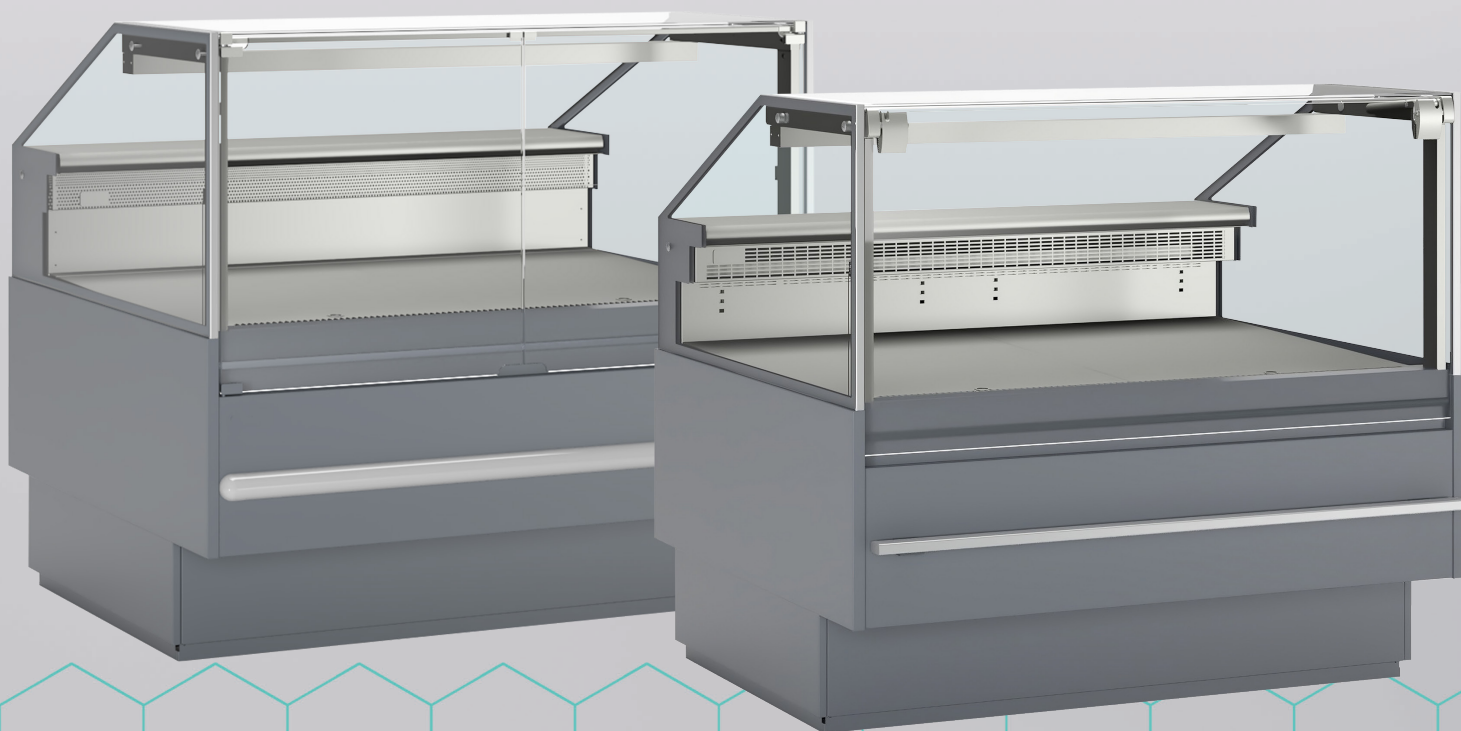
TEFCOLD®



COOL PRODUCTS WORLDWIDE

Serve Over Counters

Users manual



Models:

SOCA

SOCB

EN

CONTENTS

1.	General information	
	Important safety instructions	4
	Electrical connection	4
	Unpacking and installation	5
	Multiplexing	9
	Start-up of the cabinet	11
	Thermostat	12
	Defrosting	13
	Cleaning and maintenance.....	13
	Service	14
	Disposal	14
2.	Thermostat Parameters	
	Carel Easy	15
3.	Installation Drawings	
	SOCA	16
	SOCB	19

IMPORTANT SAFETY INSTRUCTIONS

1. To get the best out of your cabinet, read these instructions thoroughly.
2. The user is responsible for correct use of the cabinet in accordance with instructions.
3. Place cabinet in a dry, well ventilated room.
4. Do not place close to sources of heat or in direct sunlight.
5. Do not place near air conditioners or other ventilation units.
6. Do not store explosive substances such as gas, petrol, ether or the like in the cabinet.
7. The device cannot be used by children. The device cannot be used by people with lower physical and mental capabilities, people with lack of experience and knowledge of the device unless supervision and instruction regarding safe usage of the device is provided, so that the associated risks are understood.
8. During cleaning, maintenance and installation, the device should be completely disconnected (remove the plug from the socket) and secured against reconnection. The operator must be able to check, from every point he has access to, that the plug has been removed.



ONLY FOR APPLIANCES WITH REFRIGERANT R290/R600a!

This appliance contains a flammable refrigerant, so make sure of good ventilation around the appliance. Do not use mechanical devices when defrosting, this can cause leakage of the cooling system. Do not use electrical appliances inside the refrigerated storage compartment.

Any repair of the appliance should be carried out by a skilled technician (EN 60335-2-89: 2010).

Important !

The base of this cabinet is designed for storage of hermetically sealed containers containing processed food.

ELECTRICAL CONNECTION

The cabinet operates on 220-240 V/50 Hz.

The wall socket should be easily accessible.

If more cabinets are multiplexed, each section must be connected to a separate wall socket.

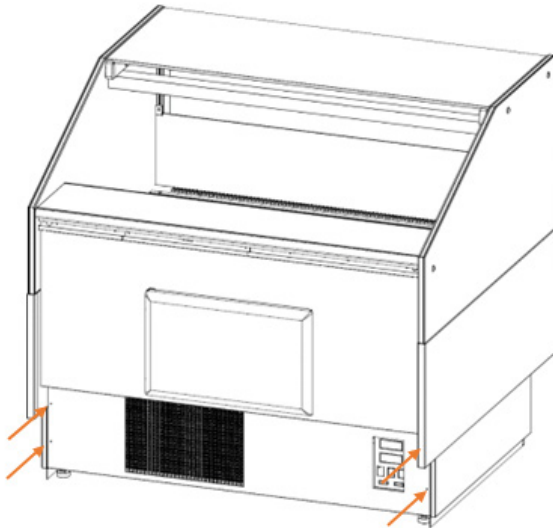
All earthing requirements stipulated by the local electricity authorities must be observed. The cabinet plug and wall socket should then give correct earthing. If in doubt, contact your local supplier or authorized electrician. The main electrical connections must be done by skilled electricians.

UNPACKING AND INSTALLATION

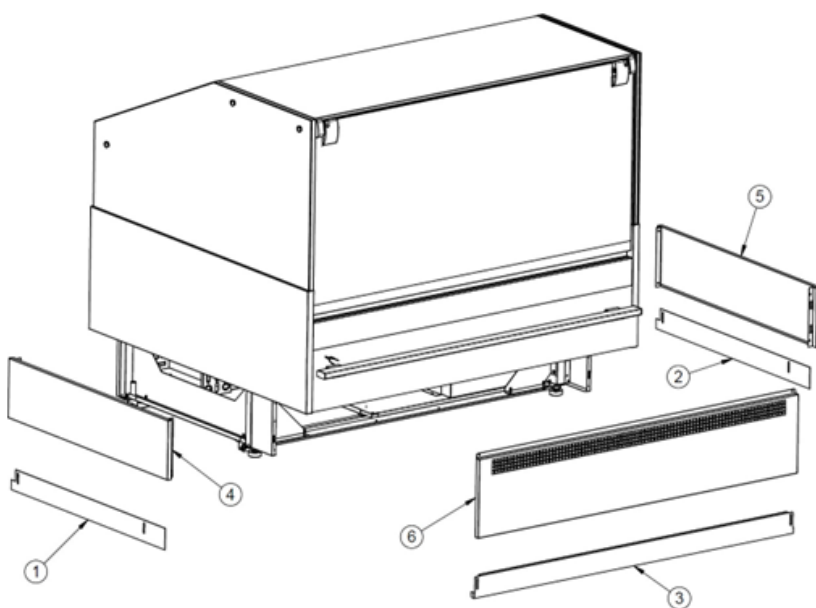
Remove the wooden pallet and the packing. External surfaces are supplied with a protection foil, which must be removed before installation.

SOCKETS AND COVERS

To install the side sockets and side covers, the back cover must be disassembled. For its disassembly use 4 screws located in the corners, according to the drawing below.



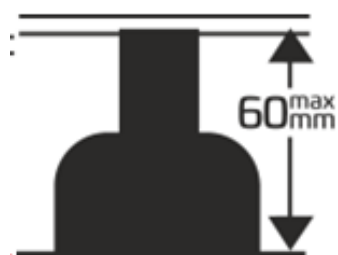
Install the side sockets and side covers, in the order shown below. Then reassemble the back cover. See page 18 for details.



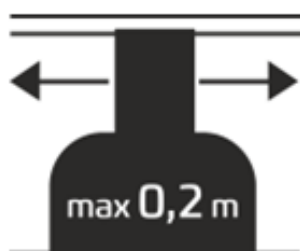
1. Left side socket
2. Right side socket
3. Front socket
4. Left side cover
5. Right side cover
6. Front cover

LEVELLING

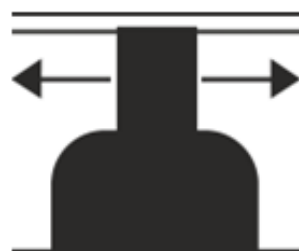
The device must be leveled in all directions and firmly seated.



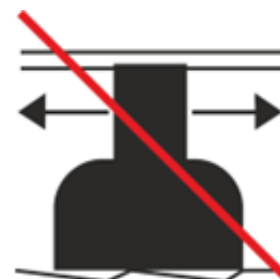
Maximum adjustable height is 60 mm.



Maximum movement of a device with legs is 20 cm.

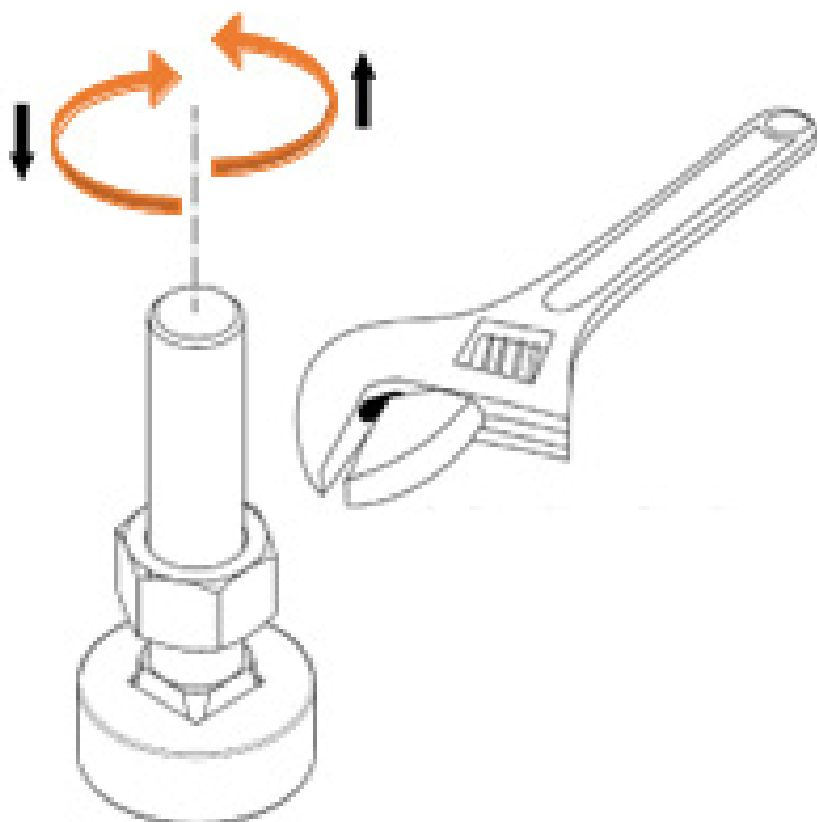


Move the device only with fully screwed legs.



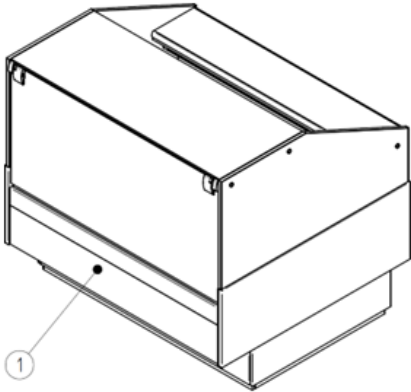
Do not move the device on uneven surfaces.

Adjust the legs using a no. 24 fork spanner.

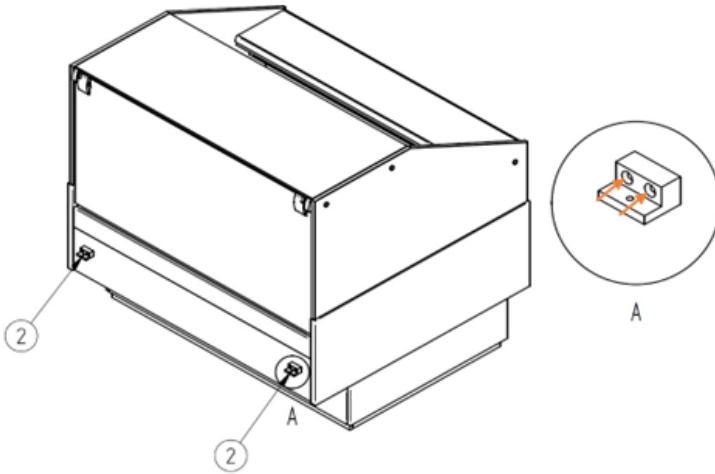


BUMPERS

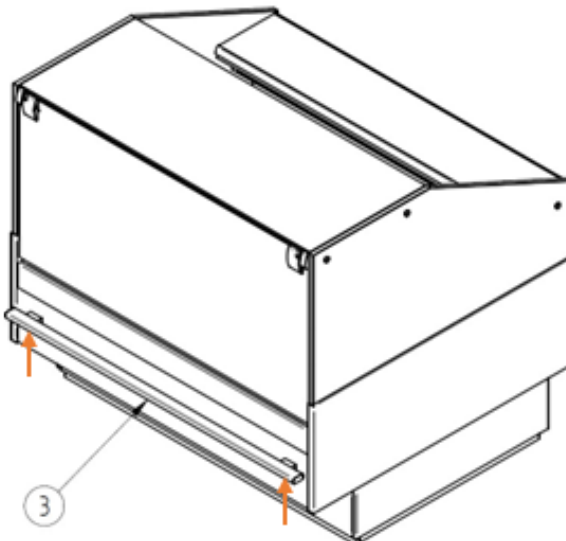
There are holes in the front profile (1) for the bumper holders. See page 18 for more details.



Install the bumper holders (2) by 4.8x38 screws

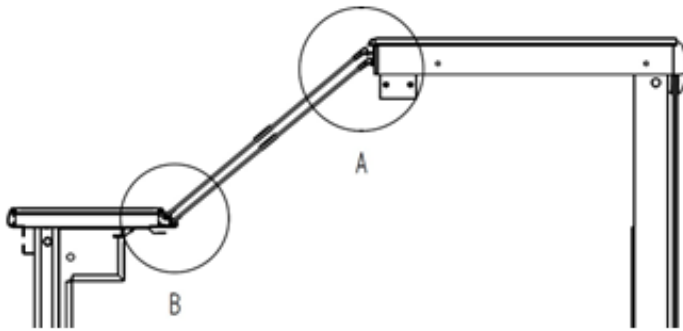


Put the bumper (3) on the holders so that the holes in the bumper align with the lower opening of the holders. Use M4x20 screws to fasten to the holders.

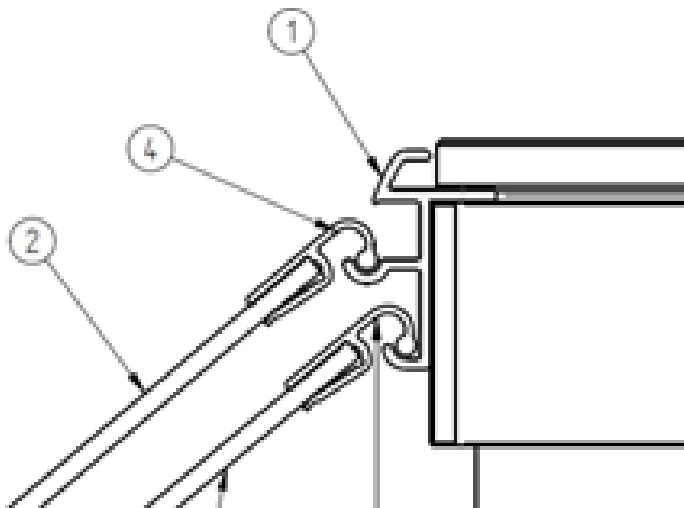


NIGHT BLINDS / LIDS (OPTIONAL)

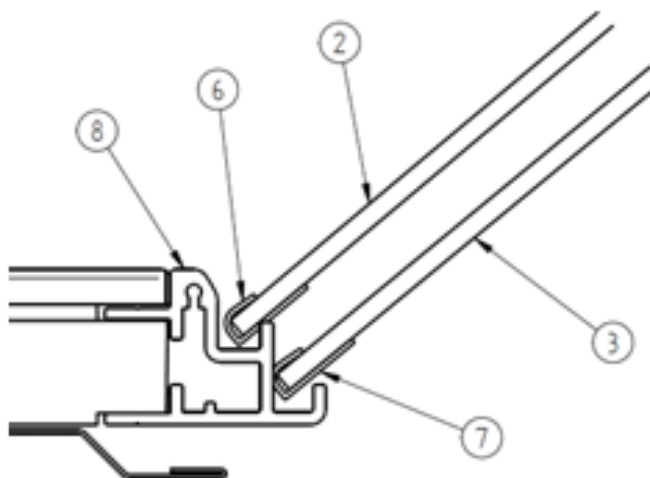
Place the blinds in the upper runner profile as in the drawings, and guide them to the lower runner profile.



A

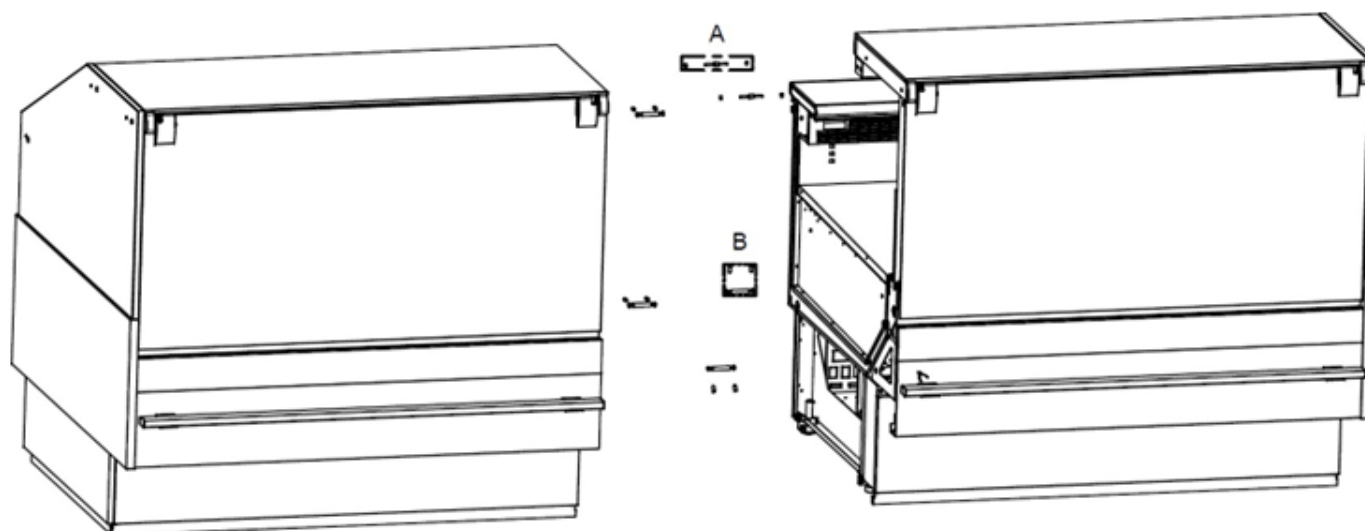


B



MULTIPLEXING

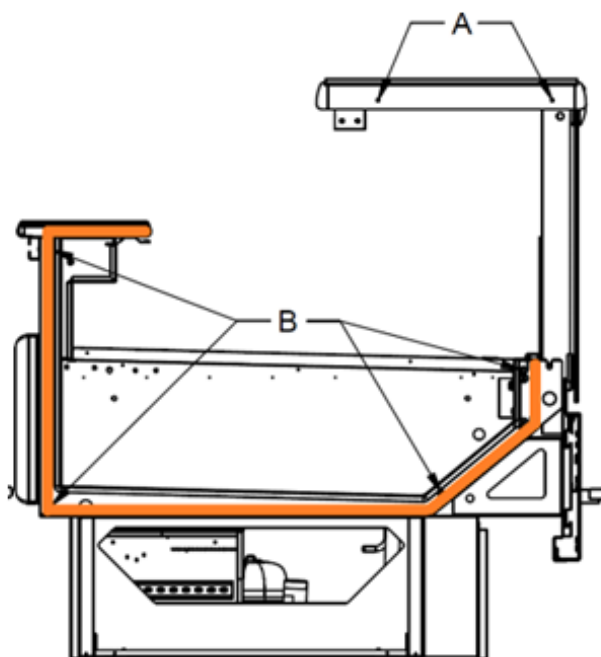
The device is adapted to be connected with subsequent modules of the same type.



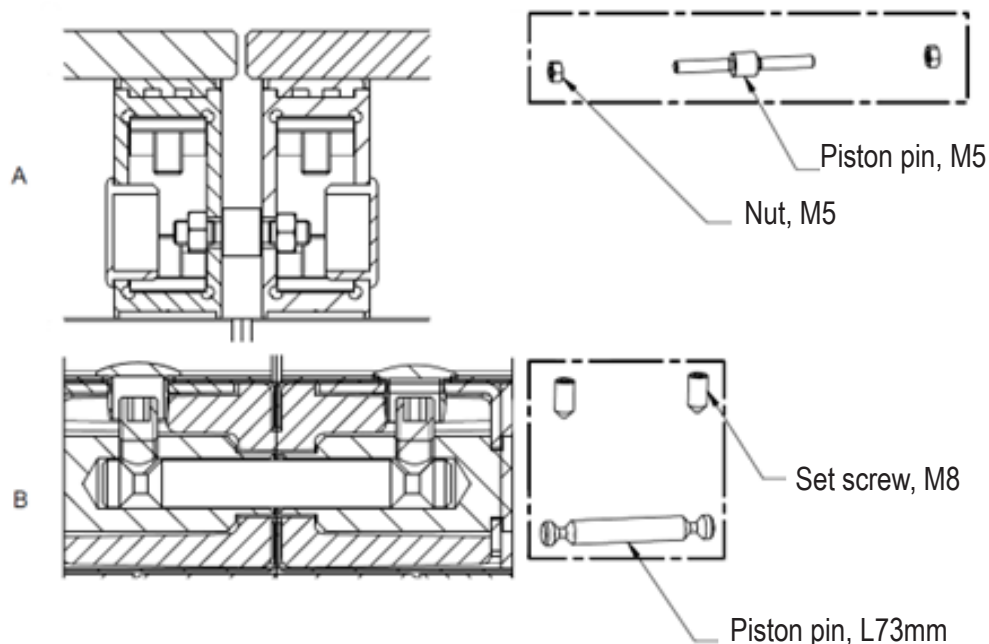
The multiplexing kit 55146 includes:

- 2 Piston pins, M5
- 4 Nuts, M5
- 4 Piston pins, L73mm
- 8 Set screws, M8
- 2 Set screw plugs

Seal the marked area with silicone seal before assembly.



Assembly details.



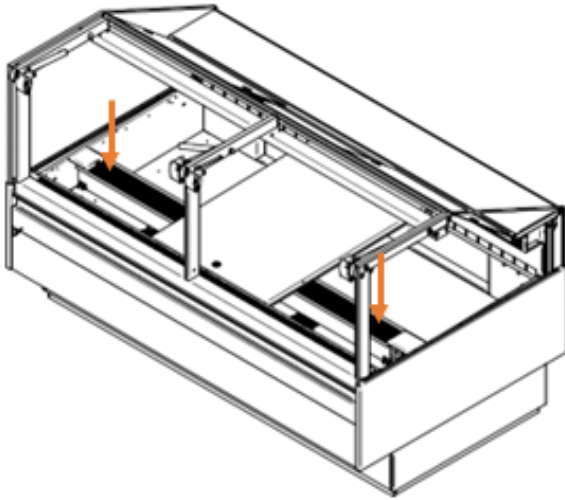
Order of action multiplexing devices into a line:

1. Place the refrigeration counter in the designated place and level precisely. The front cover should be disassembled for the time of connecting
2. In a properly positioned device, place the fasteners in places shown on the drawing above (2xM5 piston pins in places marked as A, L73mm piston pin in places marked as B) Take the plugs out of the horizontal post and secure 2xM5 piston pins from falling out with M5 nuts, then place the plugs back in the post. Secure the L73mm piston pins from falling out with M8 set screw, then place the plugs back in the post.
3. Stick the seal in the place indicated on the drawing previous page.
4. Place another refrigeration counter at the connection point and level precisely to the previous counter (height of the devices must match).
5. Slide the other device on the fasteners from the first device, carefully push to the seal and assemble the M5 nuts and M8 set screws as in point 2.
6. Install the front sockets and front covers of the frame.

START-UP OF THE CABINET

Before use, we recommend that the cabinet is cleaned, see the section on maintenance and cleaning.

Before use, it's necessary to fill the water locks with water to prevent hot air to flow through the drains. To perform this action, remove the bottom shelves and slowly pour app. 0,5 liters of water through the evaporator in the marked places in the drawing.

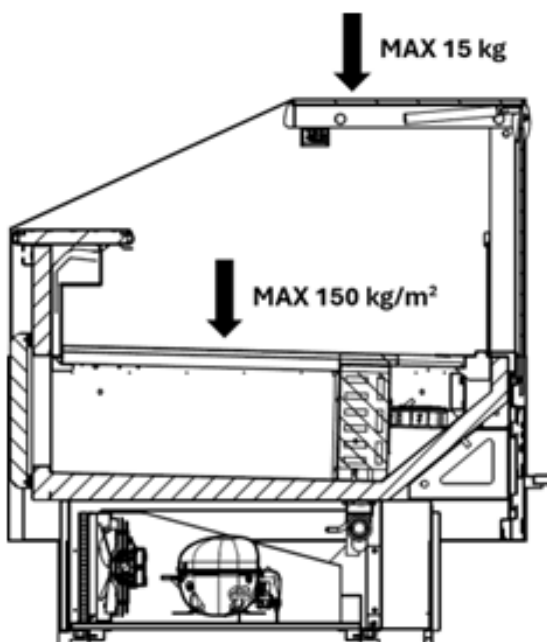


Before stocking the cabinet, make sure the temperature inside the cabinet has reached expected value.

Do not exceed the load of the shelves, see below.

Place the products with at least 10 mm gap to allow proper air flow of cooled air.

Do not block air inlets and outlets.



THERMOSTAT

The thermostat is placed in the control panel.



The thermostat has been pre-set and in most cases it is not necessary to adjust the settings.

When turning on the cabinet the display will show the current temperature in the cabinet.

Display set temperature:

SET Press this key and the display will show the set temperature. Press the key again to return to normal reading

Set new temperature:

SET Press this key continuously for more than 3 seconds and the display shows the set temperature. (The '°C' LED is flashing)



Press this key to increase the set temperature.



Press this key to lower the set temperature.

SET Press this key to save the new settings. The display will flash with the new value and will then return to normal reading.

CHANGING OF PARAMETERS

See table of parameters from page 15.

DEFROSTING

The cabinet defrosts automatically with pre-set intervals. If the contents of the cabinet is changed frequently it may become necessary to defrost the cabinet manually.



Pressing this key continuously for more than 3 seconds will start a manual defrosting and then return to normal operation.

Defrosted water runs to a container placed in the compressor compartment and evaporates.

CLEANING AND MAINTENANCE

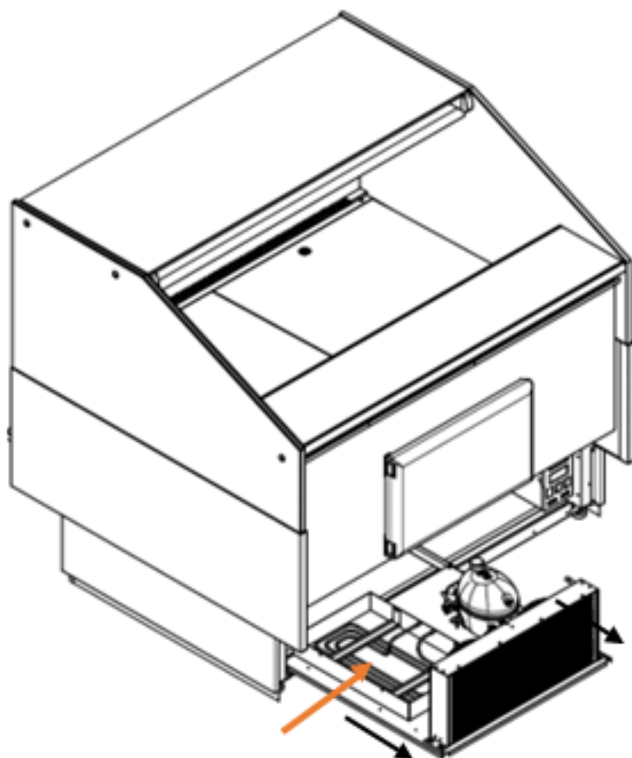
Switch off the electrical connection at the socket.

The cabinet must be periodically cleaned. Clean the external and internal surfaces of the cabinet with a light soap solution and subsequently wipe dry.

Do not spray the appliance with direct jets of water or using high pressure appliances.

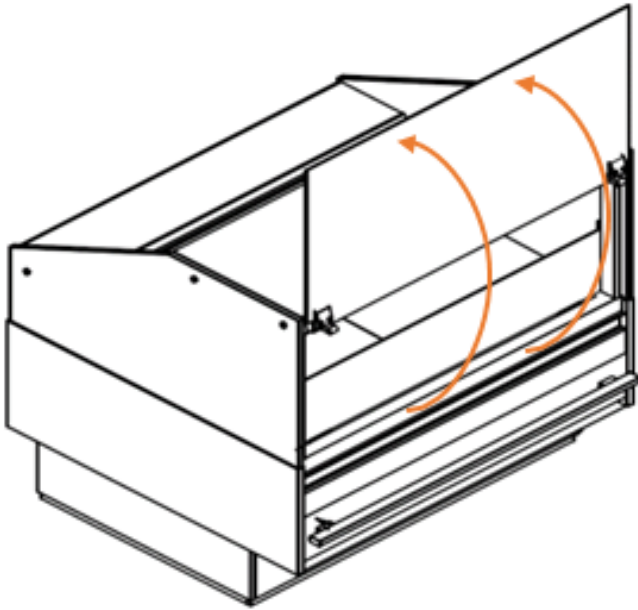
Do NOT use cleansers containing chlorine or other harsh cleansers, as these can damage the surfaces and the internal cooling system.

Clean the condenser and the compressor compartment using a vacuum cleaner and a stiff brush at least once a month.



Cleaning the front glass.

Lift the front glass with both hands for cleaning.



SERVICE

The cooling system is a hermetically sealed system and does not require supervision, only cleaning.

If the cabinet fails to cool, check if the reason is a power cut.

If you cannot locate the reason to the failure of the cabinet, please contact your supplier. Please inform model and serial number of the cabinet. You can find this information on the rating label which is placed inside the cabinet in the top right hand side.

DISPOSAL

Disposal of the cabinet must take place in an environmentally correct way. Please note existing regulation on disposal. There may be special requirements and conditions which must be observed.



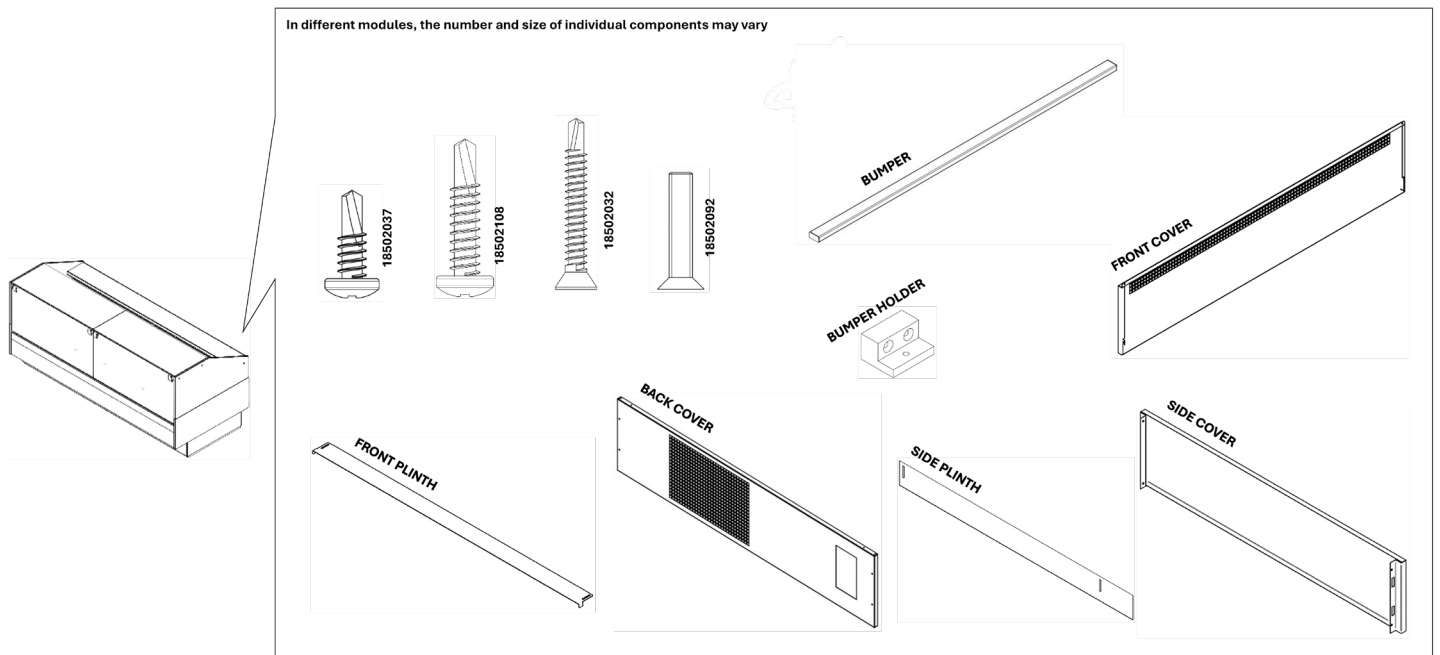
PARAMETER SETTINGS

SOCA/SOCB - PJEZC0H000

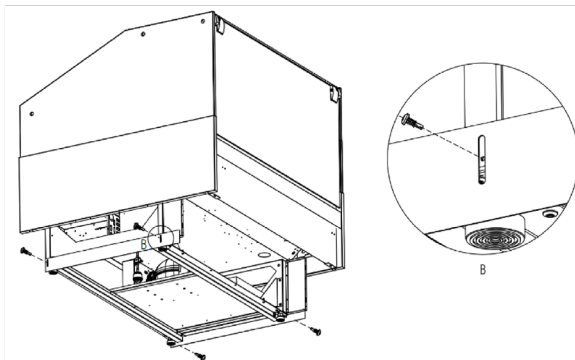
Description	Parameter	Value
Probe measurement stability	/2	10
Probe display selection	/4	1
Unit of measure C/F	/5	0
Decimal point	/6	0
Probe 1 offset	/C1	-1
Probe 2 offset	/C2	0
Probe 3 offset	/C3	0
Set point	St	0
Control drifferential	rd	1
Minimum set point value	r1	0
Maximum set point value	r2	5
Select direct/reverse operation	r3	0
Night-time set point delta	r4	3
Compressor and fan start delay on power-up	c0	0
Minimum time between cosecutive compressor starts	c1	1
Minimum compressor off time	c2	2
Minimum compressor on time	c3	0
Duty setting	c4	15
Continuous cycle duration	cc	2
Temperature alarm bypass after contnuous cycle	c6	2
Type of defrost	d0	0
Interwal between defrost	dl	6
End defrost temperature set point	dt	5
Maximum defrost duration	dP	60
Defrost on power-up	d4	0
Defrost delay on power-up	d5	0
Freeze control temperature display during defrost	d6	1
Dripping time	dd	4
Alarm bypass time after defrost	d8	1
Defrost priority over compressor protectors	d9	0
Defrost probe reading	d/	0
Time base	dC	0
Alarm and fan temperature differential	A0	-2
Low temperature alarm	AL	-2
High temperature alarm	AH	6
Alarm temperature delay	Ad	120
3rd input configuration	A4	0
Digital input alarm delay	A7	0
Enable alarm ED - end defrost by timeout	A8	1
Condenser high temperature alarm set point	Ac	70
High temperature condenser alarm differential	AE	5
High temperature condenser alarm delay	AcD	0
Enable evaporator fan control	F0	1
Evaporator fan control set point	F1	10
Stop evaporator fan if compressor off	F2	0
Evaporator fan status during defrost	F3	1
Post-dropping time	Fd	0
Password	Pw	22
Serial address	H0	1
AUX output configuration	H1	0
Enable keypad	H2	1
Disable buzzer	H4	0
Detect changed parameter	H5	0

INSTALLATION DRAWINGS SOCA

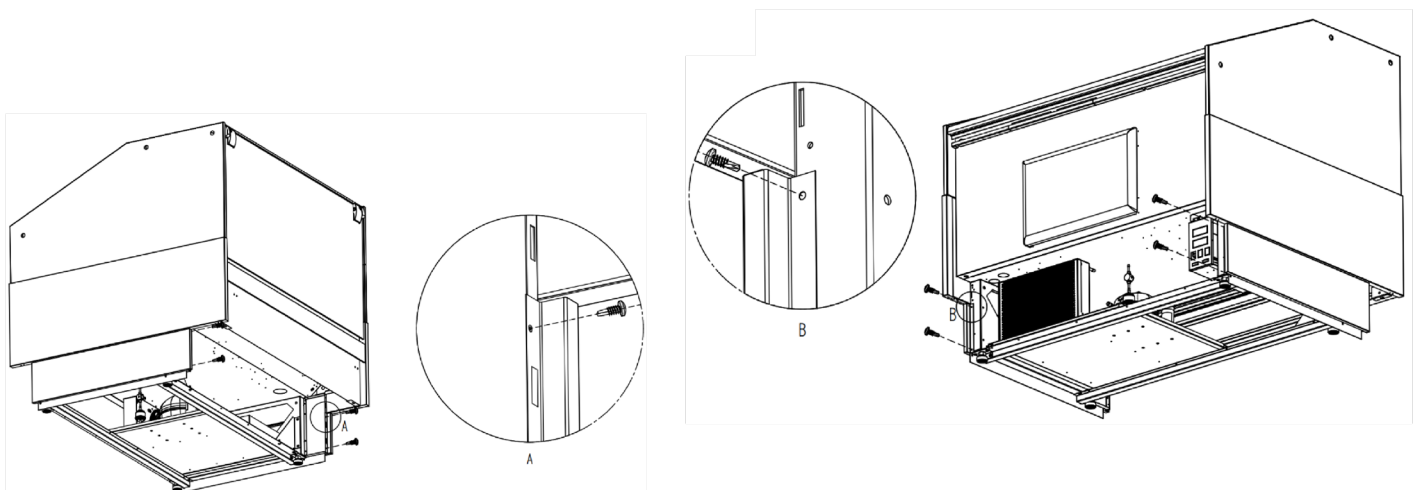
PARTS



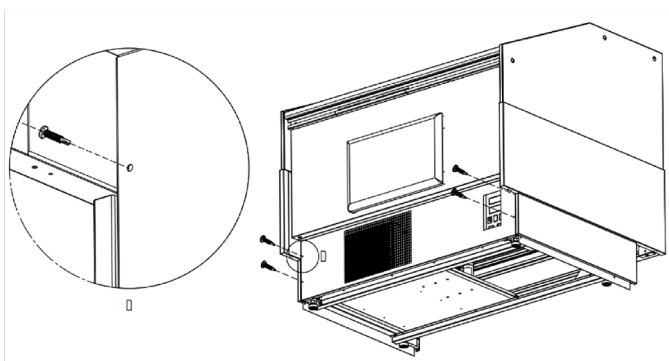
SCREW THE SIDE PLINTHS USING SHEET METAL SCREWS 18502037



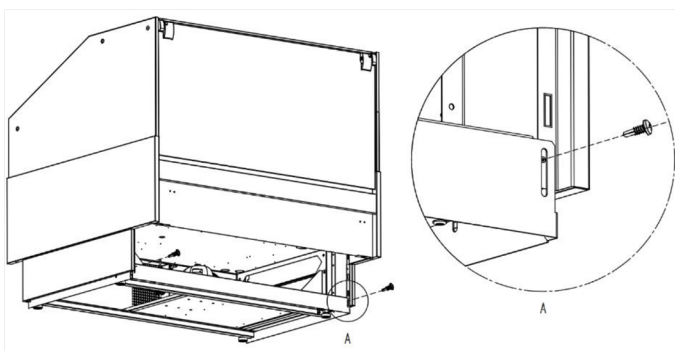
SCREW THE SIDE COVERS USING SHEET METAL SCREWS 18502037



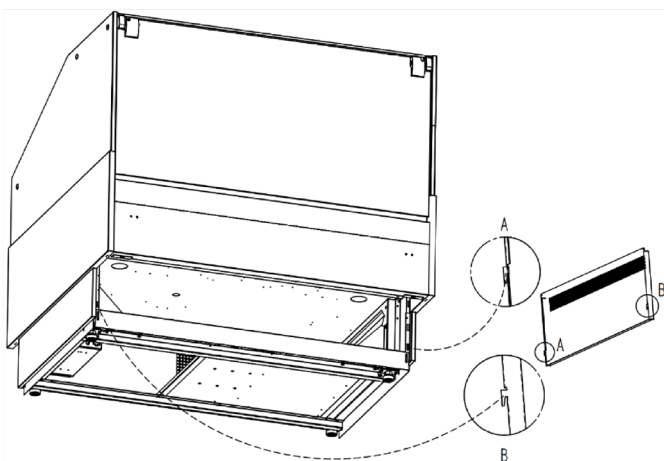
SCREW BACK COVER USING SHEET METAL SCREWS 18502108



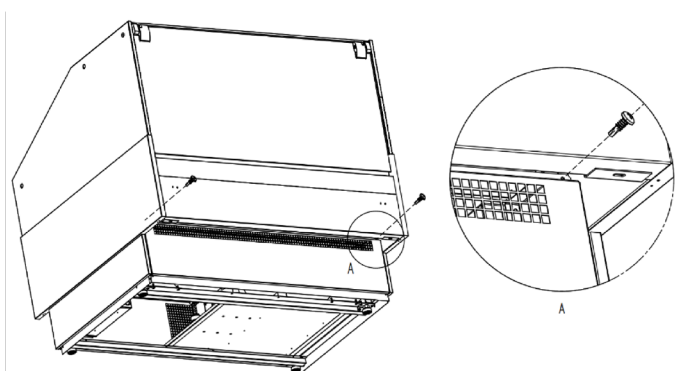
SCREW FRONT PLINTH USING SHEET METAL SCREWS 18502037



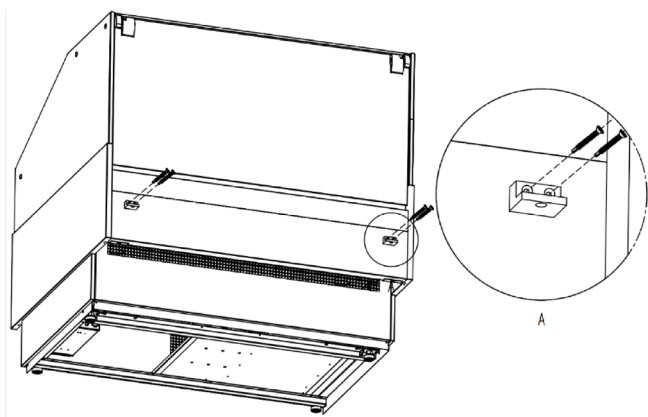
HANG THE FRONT COVER ON SPECIAL HANDLES



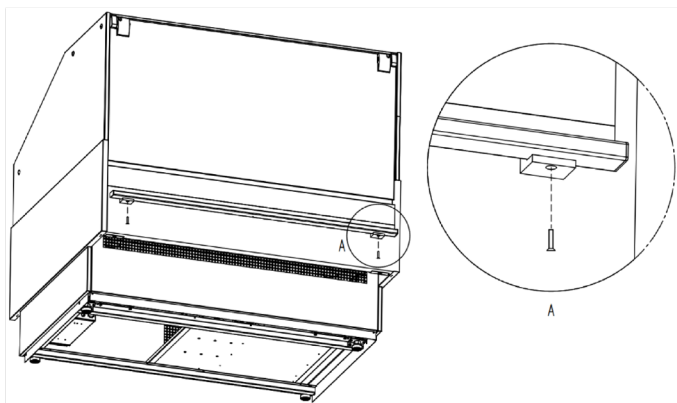
SCREW THE FRONT COVER USING SHEET METAL SCREWS 18502032



SCREW THE BUMPER HANDLES USING SHEET METAL SCREWS 18502032

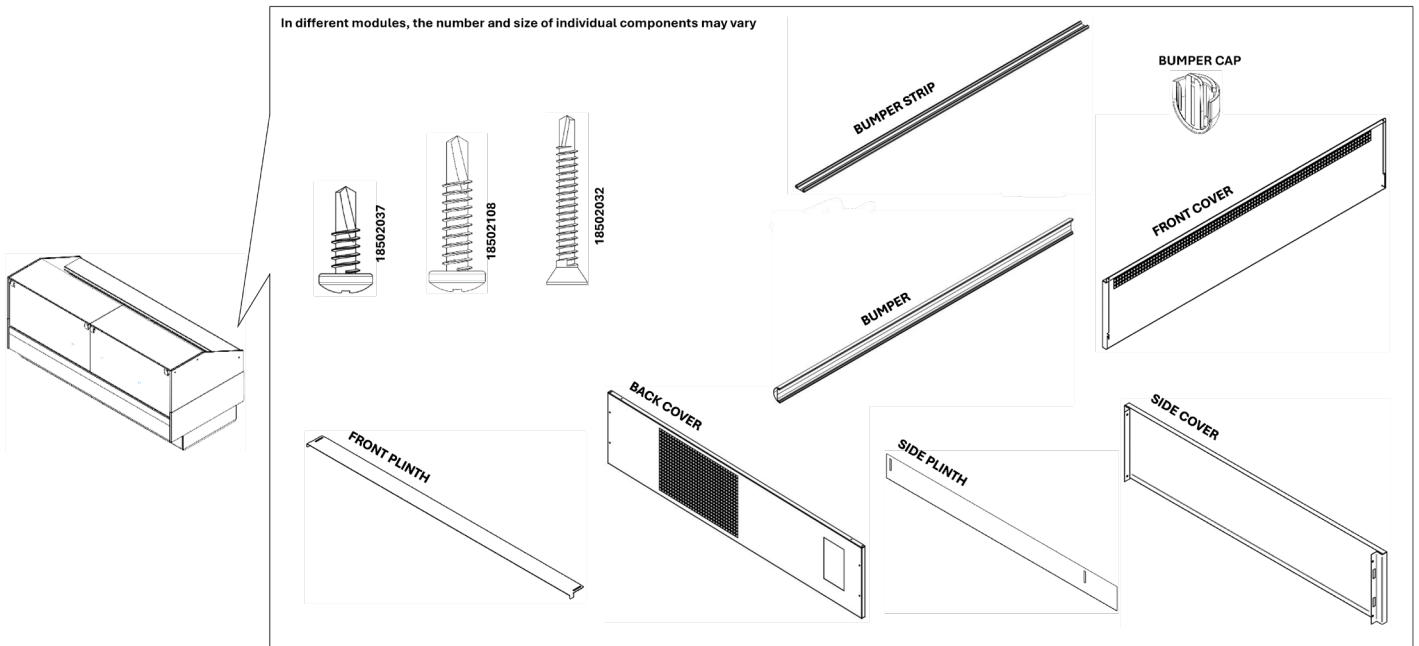


SCREW THE BUMPER TO THE BUMPER HANDLES USING SHEET METAL SCREWS 18502092

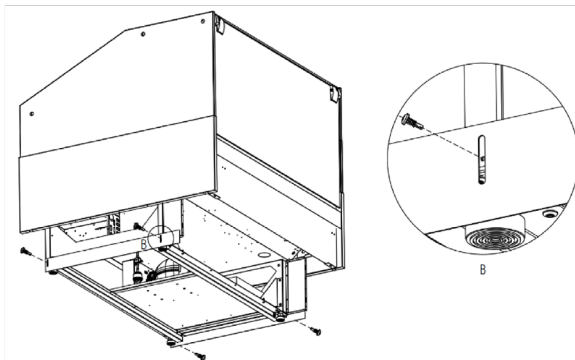


INSTALLATION DRAWINGS SOCB

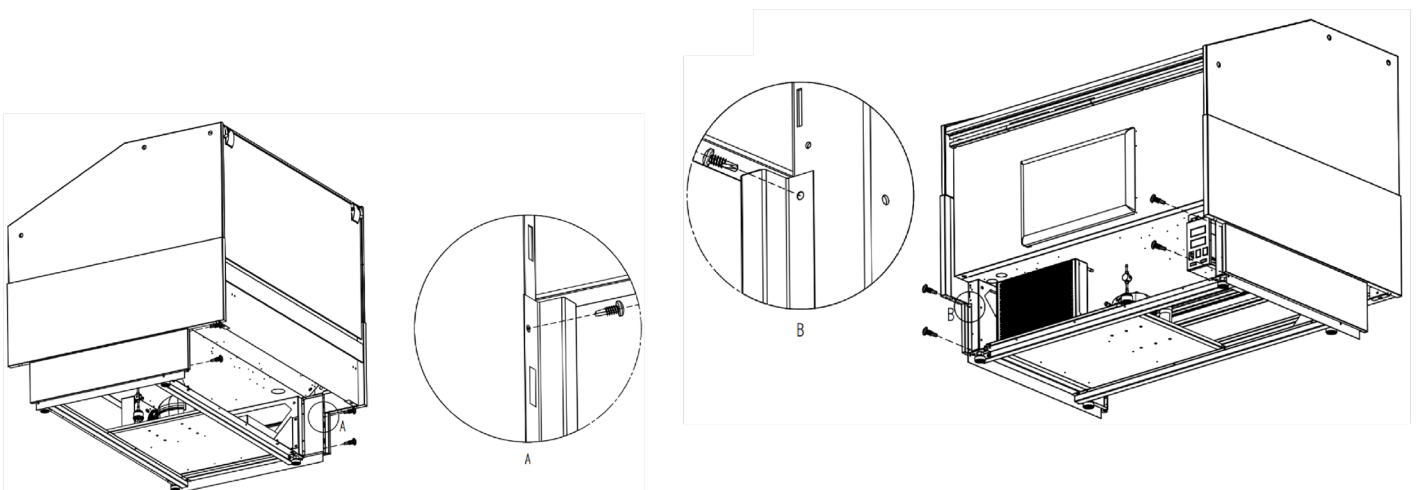
PARTS



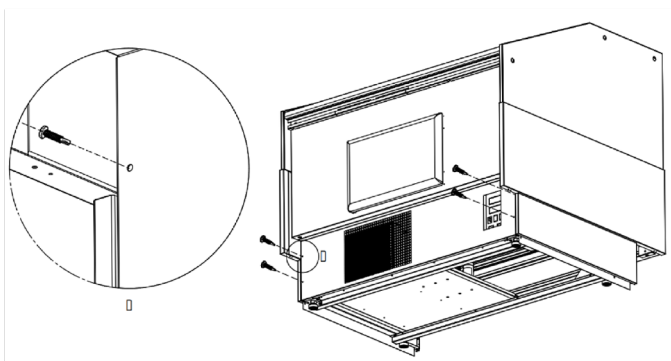
SCREW THE SIDE PLINTHS USING SHEET METAL SCREWS 18502037



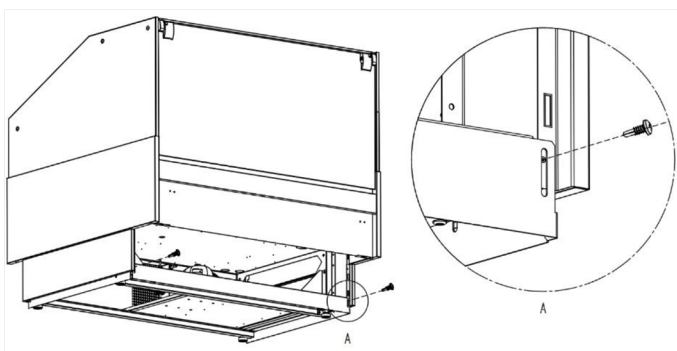
SCREW THE SIDE COVERS USING SHEET METAL SCREWS 18502037



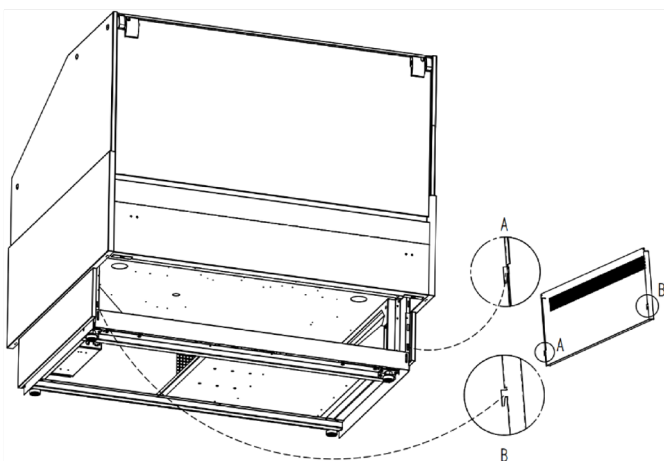
SCREW BACK COVER USING SHEET METAL SCREWS 18502108



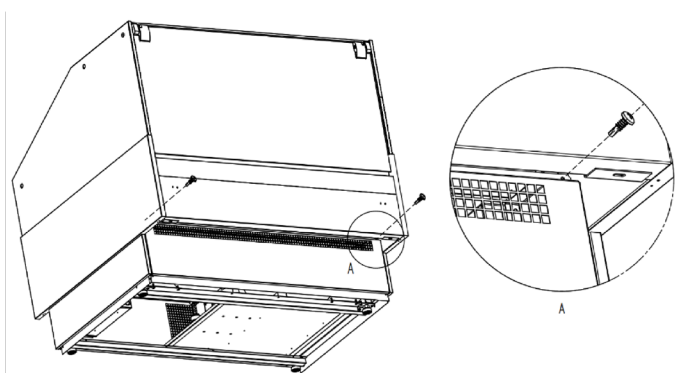
SCREW FRONT PLINTH USING SHEET METAL SCREWS 18502037



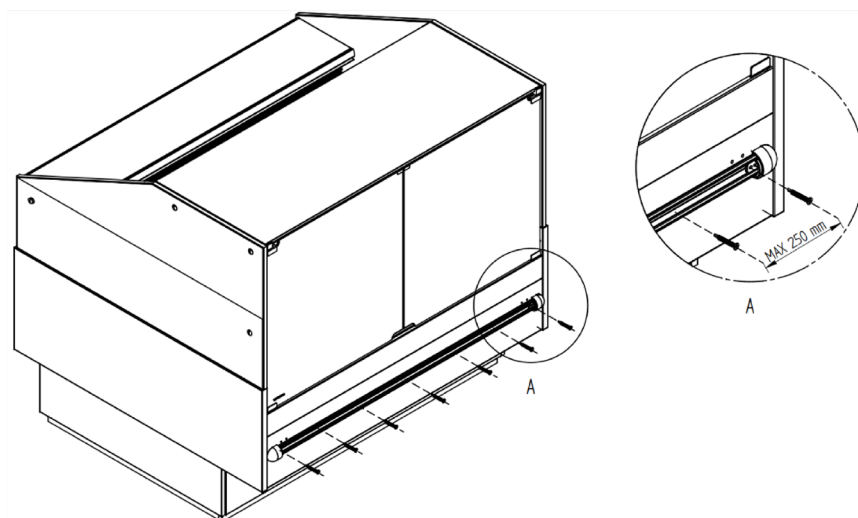
HANG THE FRONT COVER ON SPECIAL HANDLES



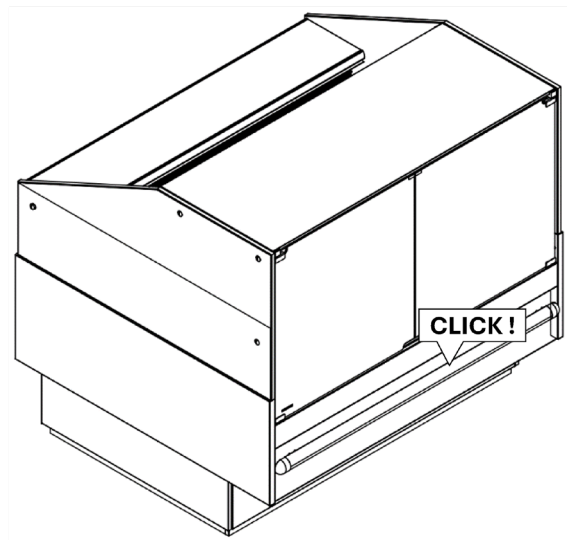
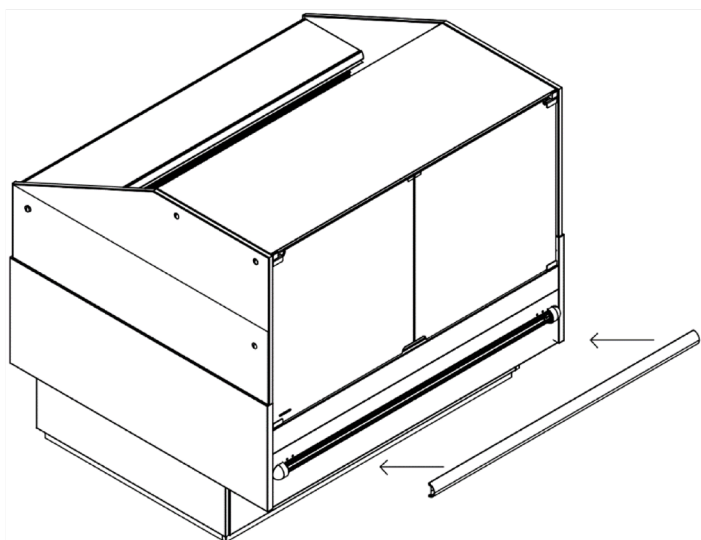
SCREW THE FRONT COVER USING SHEET METAL SCREWS 18502032



SCREW THE BUMPER STRIP AND BUMPER CAPS USING SHEET METAL SCREWS 18502032



PUT THE BUMP ON THE SCREWED BUMPER STRIP AND CLICK



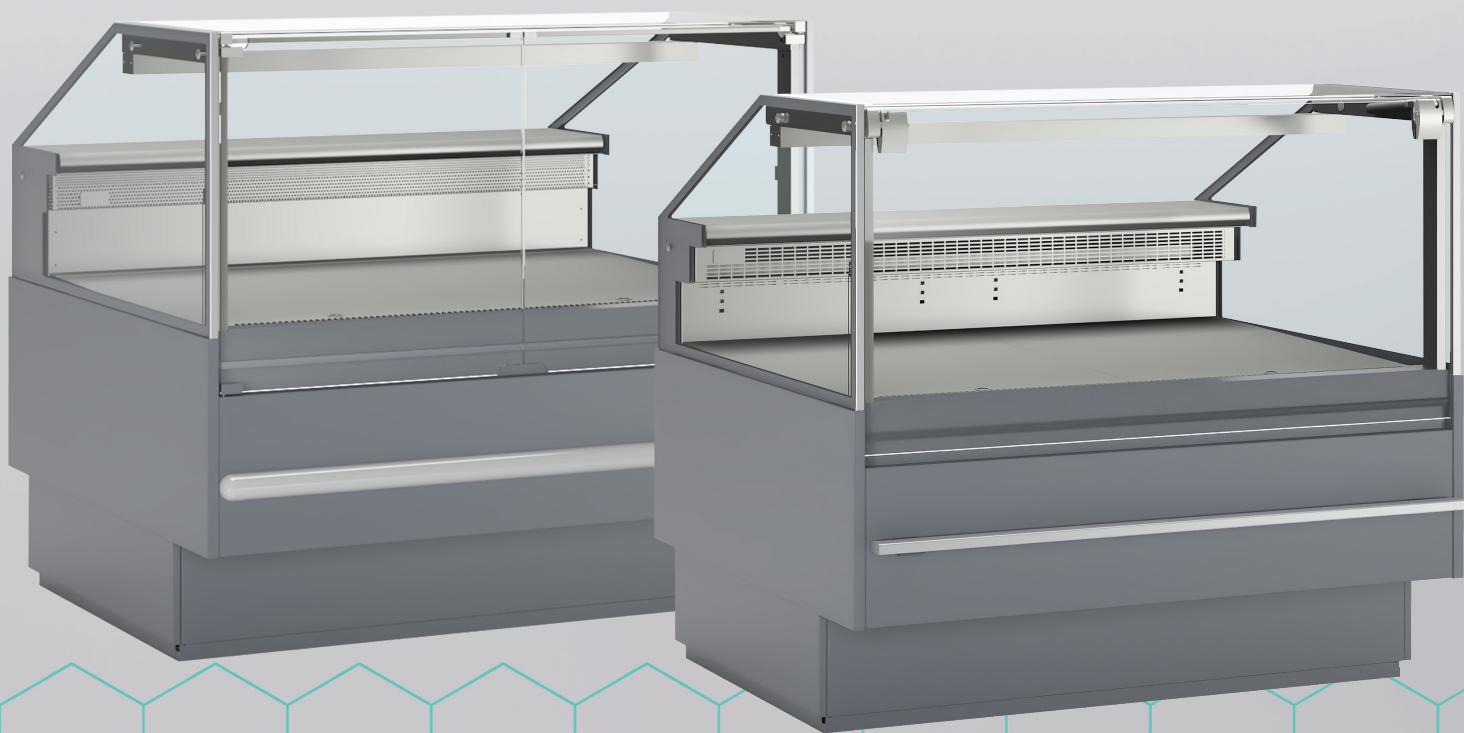
TEFCOLD®



COOL PRODUCTS WORLDWIDE

Display kølemontre

Brugsvejledning



Model:
SOCA
SOCB

DK

1.	Brugsvejledning	
	Vigtige informationer	4
	El-tilslutning	4
	Udpakning og opstilling	5
	Sammenbygning af enheder	9
	Opstart	11
	Termostaten.....	12
	Afrimning	13
	Rengøring og vedligehold.....	13
	Service	14
	Bortskaffelse	14
2.	Termostat Parametre	
	Carel Easy	15
3.	Installations Tegninger	
	SOCA	16
	SOCB	19

VIGTIGE INFORMATIONER

1. For at få det fulde udbytte af kølemøblet, bør De læse denne brugsvejledning igennem.
2. Det er brugers ansvar at anvende kølemøblet i henhold til instruktionerne.
3. Kølemøblet skal placeres i et tørt og ventileret lokale.
4. Kølemøblet må ikke placeres nær varmekilder eller i direkte sollys.
5. Kølemøblet må ikke placeres tæt på airconditioners eller andre ventilations enheder.
6. Der må ikke opbevares eksplosive eller brændbare enheder i kølemøblet.
7. Kølemøblet må ikke betjenes af børn eller folk med mentale udfordringer medmindre det er under kyndig vejledning.
8. Ved rengøring og reparation, skal kølemøblet være afbrudt fra strømforsyning. (træk stikket ud af kontakten) og træf foranstaltninger for at det ikke bliver tilsluttet igen inden denne operation er fuldført.



KUN FOR KØLEMØBLER MED KØLEMIDDEEL R290/R600a!

Dette kølemøbel indeholder brændbart kølemiddel, så sørg for god ventilation rundt om enheden. Brug ikke mekanisk værktøj til afrimning, det kan forårsage lækage i kølesystemet. Brug ikke elektriske værktøjer inden i kølemøblet.

Alle reparationer skal udføres af en erfaren køletekniker (EN 60335-2-89: 2010).

Vigtigt !

Bundhylder i dette kølemøbet er designet til opbevaring af indpakkede fødevarer.

ELEKTRISK TILSLUTNING

Kølemøblet er designet for tilslutning til 220-240 V/50 Hz.

Vægkontakten skal være let tilgængelig.

Hvis flere kølemøbler er monteret i serie (multiplexed), skal hver sektion tilsluttes separate stikkontakter.

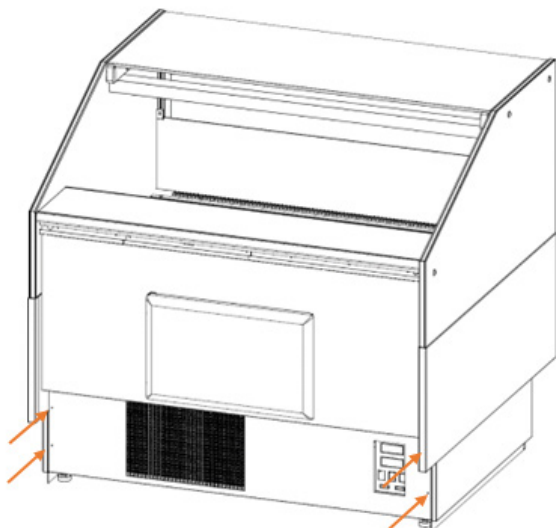
Alle jordforbindelser krævet af de lokale myndigheder skal overholdes. Kølemøblets kabel og stik skal være af samme type som stikkontakten så der er en korrekt jordforbindelse. Hvis der er tvivl skal en autoriseret elektriker kontaktes.

UDPAKNING OG INSTALLATION

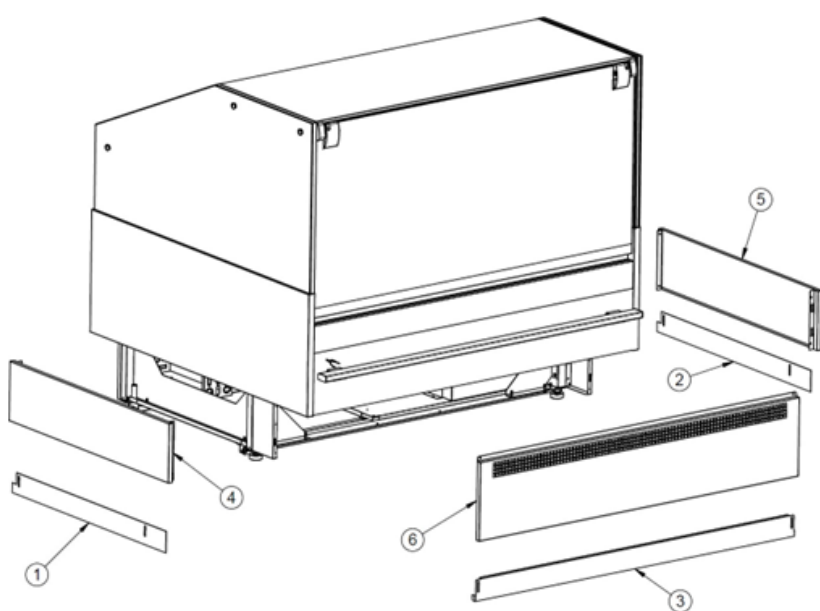
Fjern emballage og pallen. Udvendige overflader er beskyttet med en aftagelig folie so skal fjernes inden installation.

SOKLER OG AFDÆKNINGER

For at installere side sokkler og afdækninger skal bagpladen afmonteres. Dette gøres ved af fjerne de 4 skruer placeret i hjørnerne, vist på tegning.



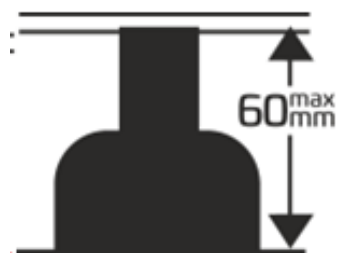
Installer side sokkler og sfdækninger, i den orden vist nedenfor. Derefter genmonteres bagpladen. Se yderligere instruktioner fra side 18.



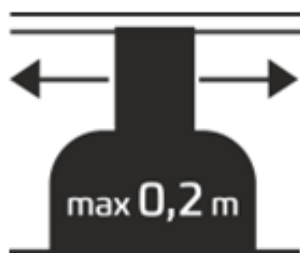
1. Venstre sokkel
2. Højre sokkel
3. Front sokkel
4. Venstere afdækning
5. Højre afdækning
6. Front afdækning

NIVELLERING

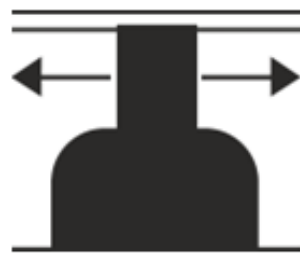
Kølemøblet skal stå i vater i alle retninger og på et solidt underlag.



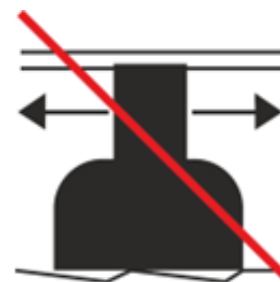
Maximum justerbar højde er 60 mm.



Maximum bevægelse stående på ben er 20 cm.

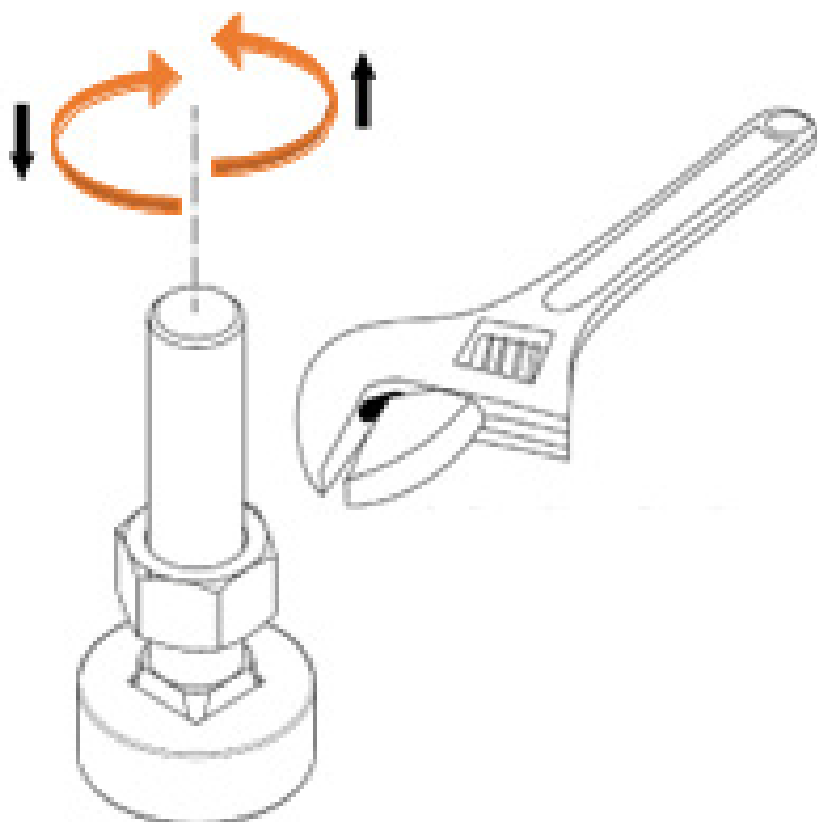


Flyt kun kølemøblet med fuldt indskruede ben.



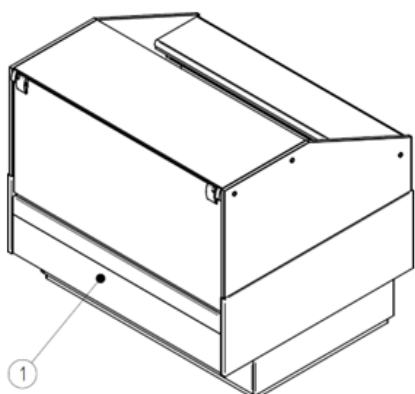
Flyt ikke kølemøblet på en ujævn overflade.

Juster benene med en nummer 24 gaffelnøgle.

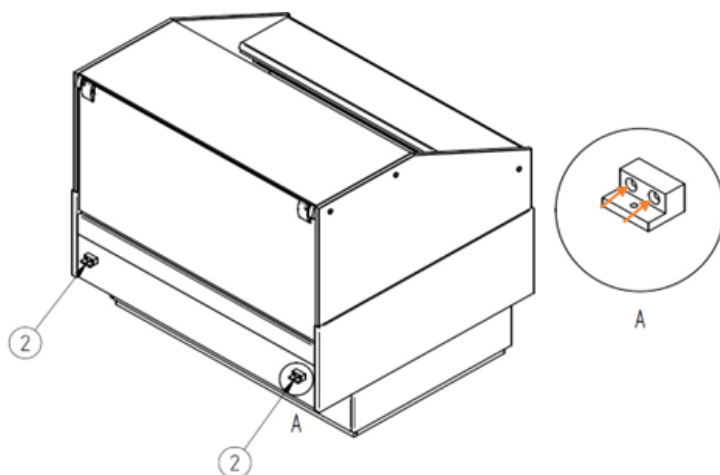


BUMPERS

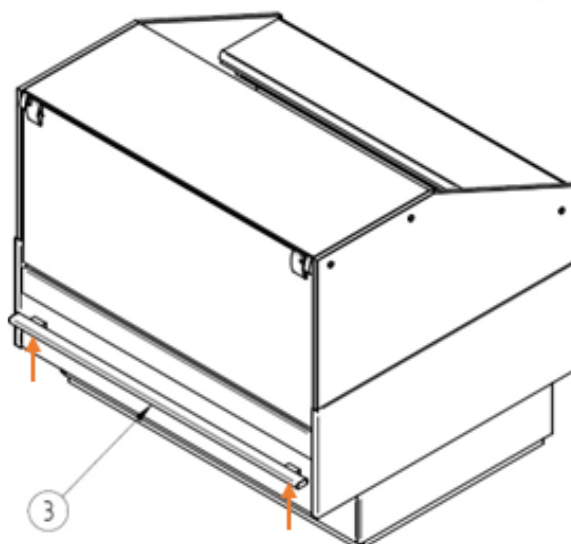
Der er forborede huller i front profilen (1) til bumper holdere. Se side 18 for flere detaljer.



Monter bumper holdere (2) med 4.8x38 skruer

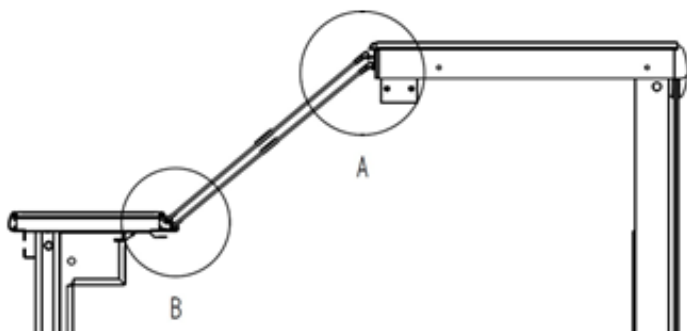


Sæt bumperen (3) på holderene så hullerne i bumperen passer til hullerne i holderne. Brug M4x20 skruer til at montere bumperen.

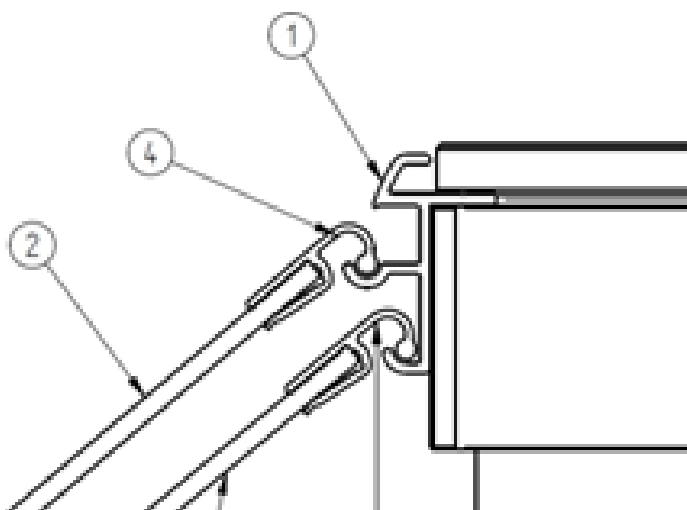


SKYDELÅG (OPTION)

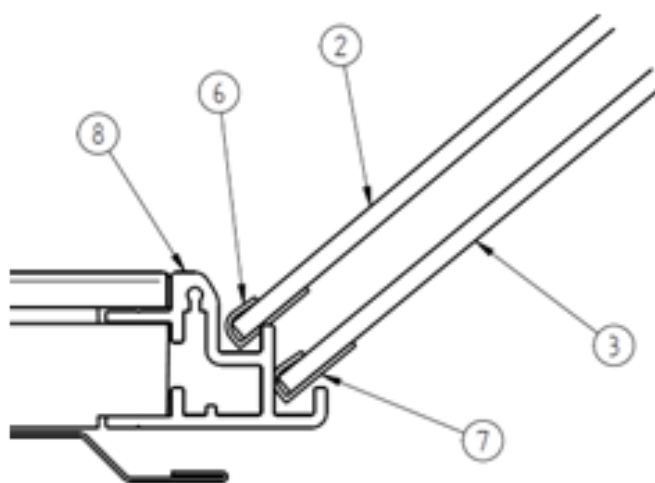
Placer lågene på den øverste skinne som vist på tegning, og placer dem i de nederste skinner.



A

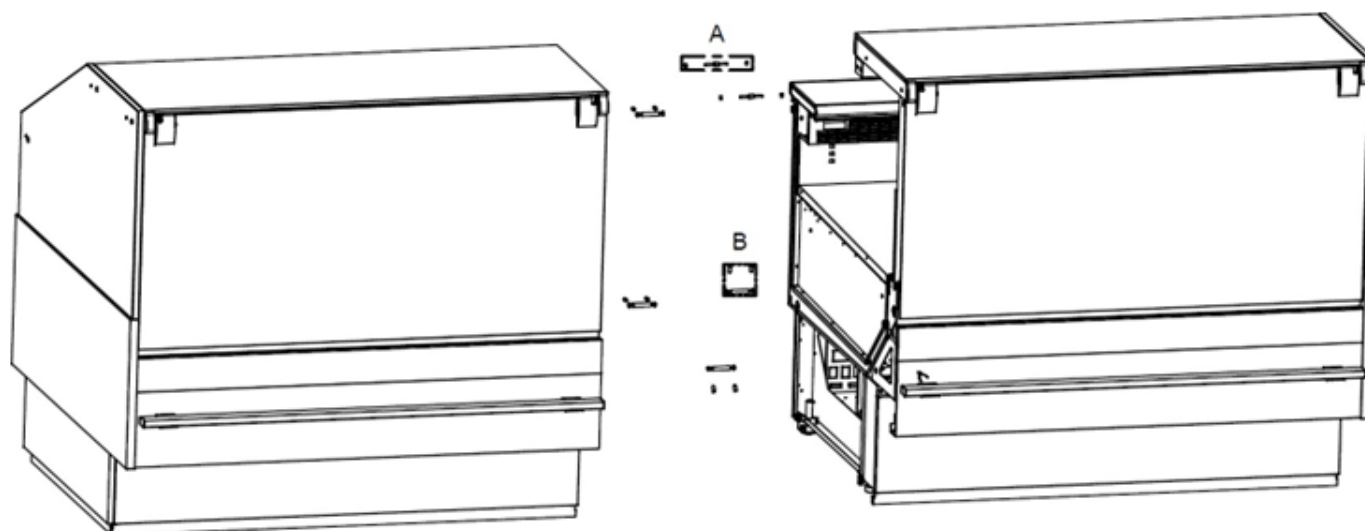


B



SAMMENBYGNING (MULTIPLICING)

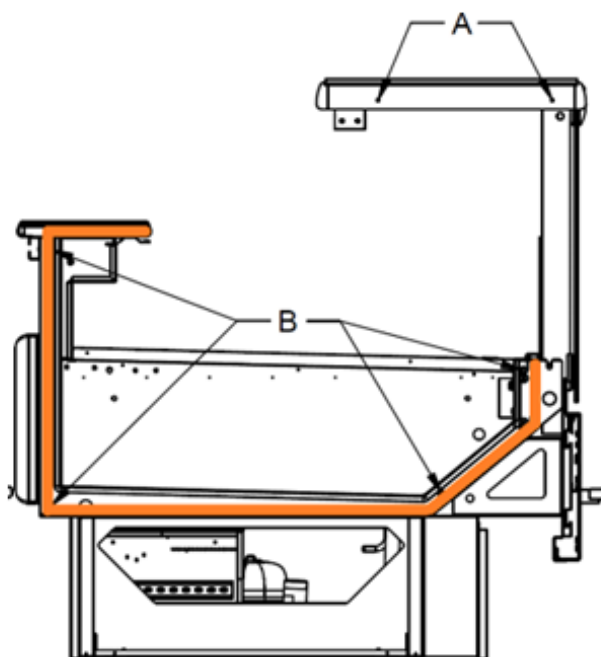
Kølemøblet kan sammenbygges med andre af samme type.



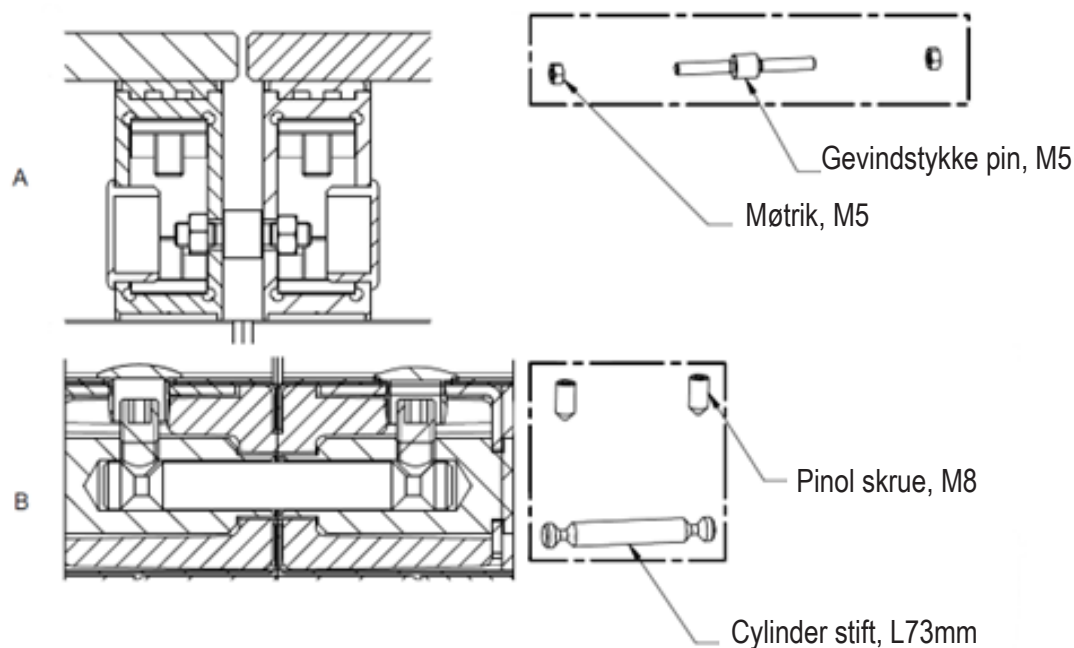
Sammenbygnings sættet 55146 består af:

- 2 Gevind stykker, M5
- 4 Møtrikker, M5
- 4 Cylinder stifter, L73mm
- 8 Pinol skruer, M8
- 2 Skrue propper

Det markerede område skal påføres silicone før samling.



Samling detaljer.



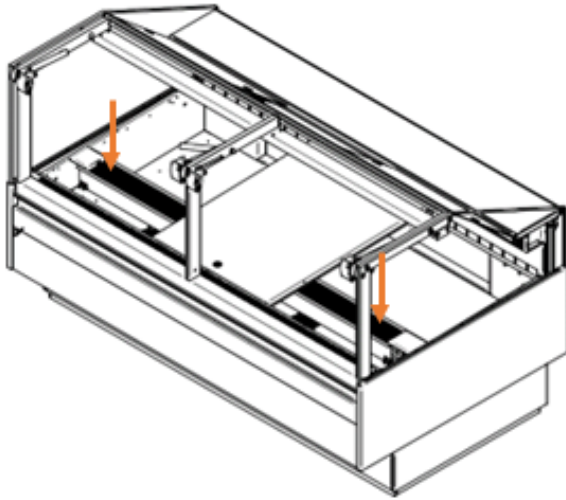
Rækkefølge for samling af flere enheder i en række:

1. Placer kølemøblet på den endelige lokation og sørg for at det står i vater. Front panel og sokkel skal være afmonteret under denne operation.
2. Indsæt gevindstykker og cylinder stifter som vist ovenfor.
(2xM5 gevindstykker i position A, L73mm cylinder stifter i position B)
Tag propperne ud og fastgør gevindstykker med M5 møtrikker.
Fastgør cylinder stifter med M8 pinol skruer, og sæt propperne på plads igen.
3. Påfør silicone på det markerede område vist foregående side.
4. Placer det næste kølemøbel ved siden af det foregående, i vater og samme højde.
5. Skub forsigtigt møblet hen over de før monterede stifter. Pres møblerne sammen så forseglingen får kontakt.
Derefter sikres det nye møbel med møtrikker og skruer som i punkt 2.
6. Monter front sokkler og afdækninger igen.

OPSTART

Før brug, anbefaler vi at kølemøblet rengøres, se afsnit om rengøring og vedligehold.

Før brug, er det nødvendigt at fylde vand i vandlåse for at forhindre varm luft i at stige op gennem afløb. Dette gøres ved at fjerne bundhylder og forsigtigt hælde ca. 0,5 liter vand i hvert afløb gennem fordamperen som vist i tegning.

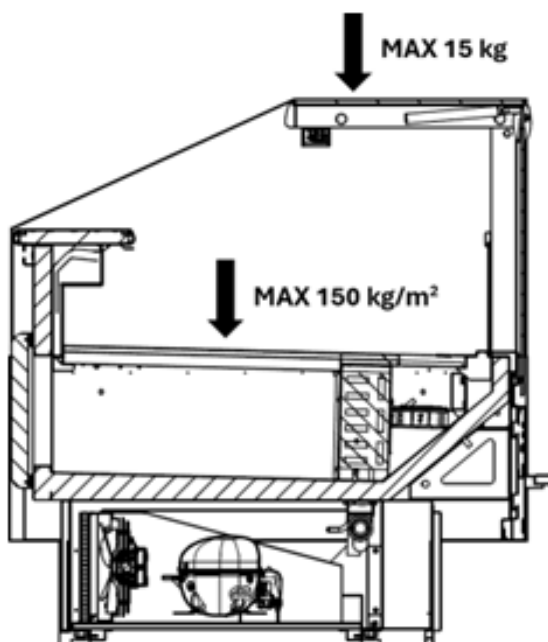


Før kølemøblet fyldes med nedkølede produkter, skal temperaturen inden i møblet være nede på den indstillede temperatur.

Overskrid ikke den maksimale belastning af hylderne, se nedenfor.

Placer produkter med en afstand på min. 10 mm for at tillade en fri luftstrøm af kold luft.

Bloker ikke luft indtag og luft udblæsning.



TERMOSTATEN

Termostaten er placeret i control panelet.



Termostaten er for-programmeret og skal normalt ikke justeres.

Når kølemøblet tændes viser termostaten den aktuelle temperatur i møblet.

Vis indstillet temperatur:

SET Tryk på denne tast, og display viser den indstillede temperatur. Tryk igen for at gå til normal visning.

Ændre indstillet temperatur

SET Tryk på denne tast i mere end 3 sekunder og display viser den indstillede temperatur. ('°C' LED blinker)



Tryk på denne tast for at hæve den indstillede temperatur.



Tryk på denne tast for at sænke den indstillede temperatur.

SET Tryk på denne tast for at gemme den nye indstilling. Display blinker med den nye værdi og vender tilbage til normal visning.

ÆNDRING AF PARAMETRE

Se tabel over parametre fra side 15.

AFRIMNING

Kølemøblet afrimer automatisk med forud indstillede intervaller. I sjældne tilfælde hvor der er stor udskiftning af produkter kan det forekomme at en manuel afrimning er nødvendig.



Tryk på denne tast i mere end 3 sekunder for at starte en manual afrimning.

Tø-vand ledes automatisk til en genfordampnings bakke i kompressor rummet og fordamper.

RENGØRING OG VEDLIGHOLDELSE

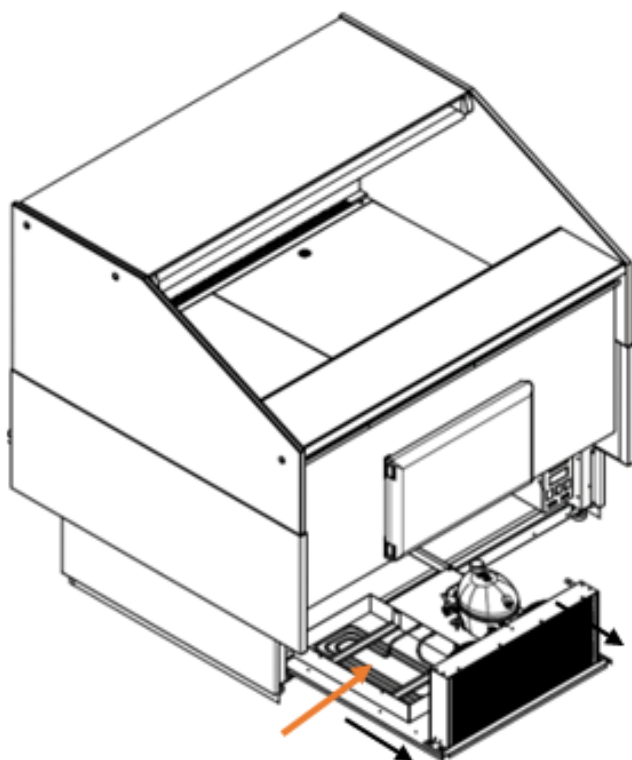
Tag stikket ud af vægkontakten.

Kølemøblet skal rengøres med jævne mellemrum. Rengør indvendige og udvendige overflader med en let sæbeblanding og afslut med en aftørring.

Der må ikke bruges vandslange eller højtryks spuler til at renøre dette møbel.

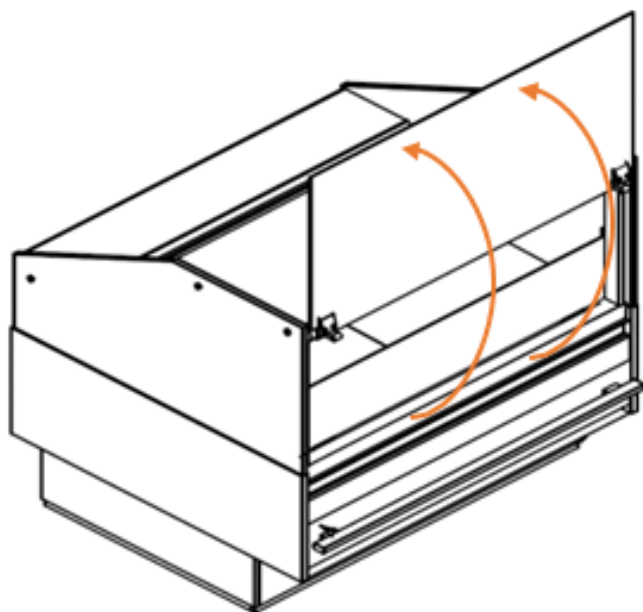
Brug ikke rengøringsmidler med klor eller andre ætsende kemikalier, da det kan skade møblets overflader og kølesystem.

Rengør kondensatoren og køle-enheden mindst en gang om måneden. Brug en støvsuger og en stiv børste.



Rengøring af front glasset.

Løft glasset med begge hænder til lodret position.



SERVICE

Kølesystemet er et hermetisk lukket system og kræver normalt ikke vedligehold, blot renholdning.

Hvis kølemøblet stopper med at køle, kontroller først de elektriske installationer.

Hvis dette ikke er årsagen, kontakt leverandør eller service partner. Venligst oplys model og serienummer. Det kan findes på typeskiltet der er placeret nær termostaten.

BORTSKAFFELSE

Når det udtjente kølemøbel skal bortskaffes, skal det ske på en miljømæssig forsvarlig måde. Vær opmærksom på reglerne for bortskaffelse. Der kan være særlige krav og betingelser, der skal overholdes.



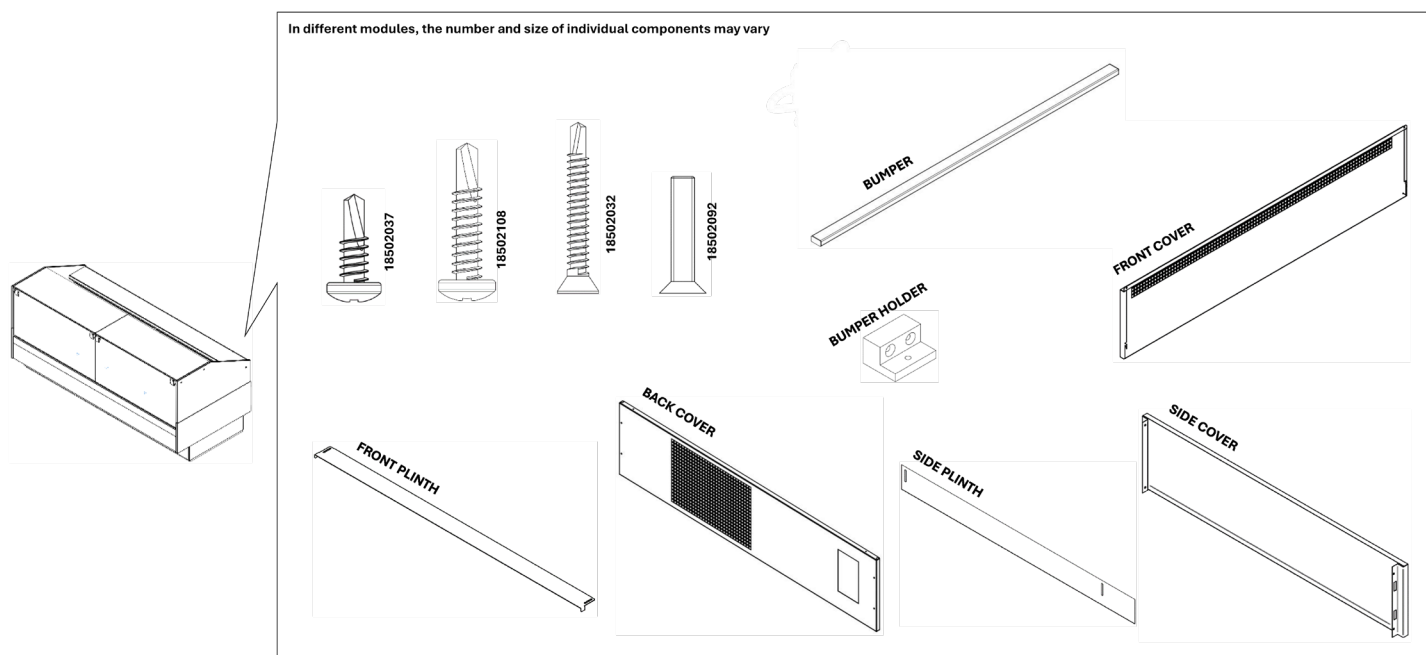
PARAMETER INDSTILLINGER

SOCA/SOCB - PJEZC0H000

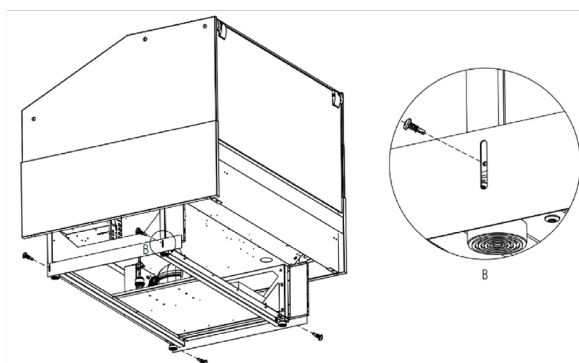
Description	Parameter	Value
Probe measurement stability	/2	10
Probe display selection	/4	1
Unit of measure C/F	/5	0
Decimal point	/6	0
Probe 1 offset	/C1	-1
Probe 2 offset	/C2	0
Probe 3 offset	/C3	0
Set point	St	0
Control drifferential	rd	1
Minimum set point value	r1	0
Maximum set point value	r2	5
Select direct/reverse operation	r3	0
Night-time set point delta	r4	3
Compressor and fan start delay on power-up	c0	0
Minimum time between cosecutive compressor starts	c1	1
Minimum compressor off time	c2	2
Minimum compressor on time	c3	0
Duty setting	c4	15
Continuous cycle duration	cc	2
Temperature alarm bypass after contnuous cycle	c6	2
Type of defrost	d0	0
Interwal between defrost	dl	6
End defrost temperature set point	dt	5
Maximum defrost duration	dP	60
Defrost on power-up	d4	0
Defrost delay on power-up	d5	0
Freeze control temperature display during defrost	d6	1
Dripping time	dd	4
Alarm bypass time after defrost	d8	1
Defrost priority over compressor protectors	d9	0
Defrost probe reading	d/	0
Time base	dC	0
Alarm and fan temperature differential	A0	-2
Low temperature alarm	AL	-2
High temperature alarm	AH	6
Alarm temperature delay	Ad	120
3rd input configuration	A4	0
Digital input alarm delay	A7	0
Enable alarm ED - end defrost by timeout	A8	1
Condenser high temperature alarm set point	Ac	70
High temperature condenser alarm differential	AE	5
High temperature condenser alarm delay	AcD	0
Enable evaporator fan control	F0	1
Evaporator fan control set point	F1	10
Stop evaporator fan if compressor off	F2	0
Evaporator fan status during defrost	F3	1
Post-dropping time	Fd	0
Password	Pw	22
Serial address	H0	1
AUX output configuration	H1	0
Enable keypad	H2	1
Disable buzzer	H4	0
Detect changed parameter	H5	0

INSTALLATION SOCA

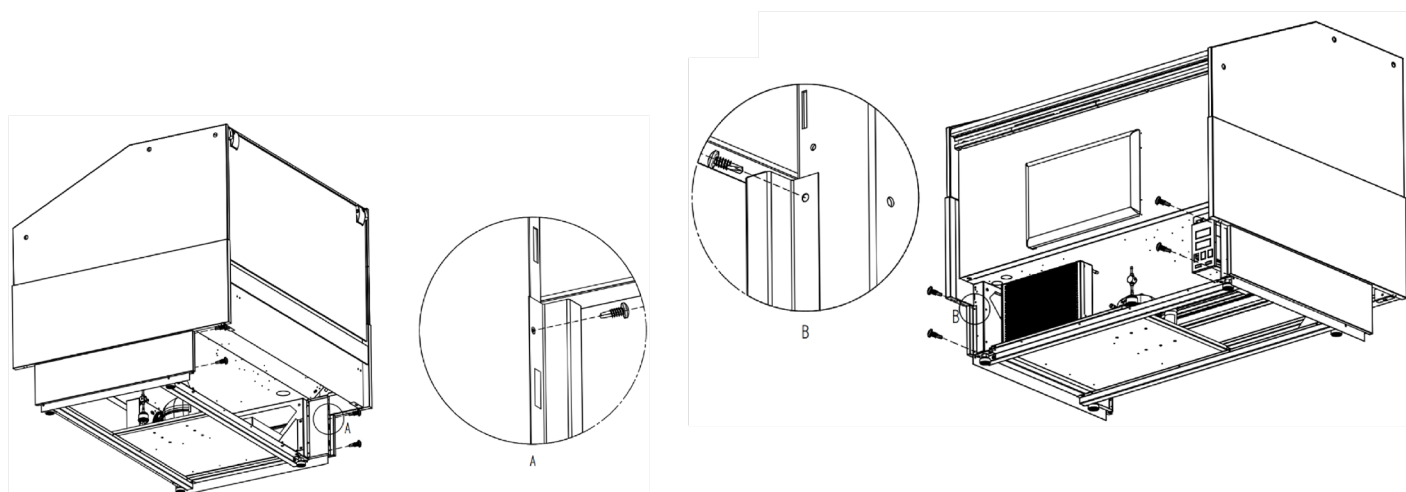
DELE



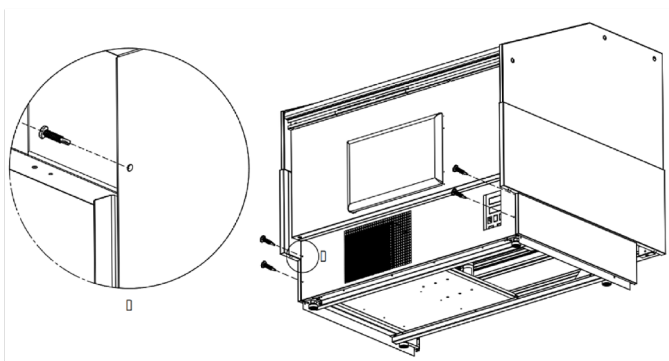
SKRU SOKKLER PÅ MED SKRUER 18502037



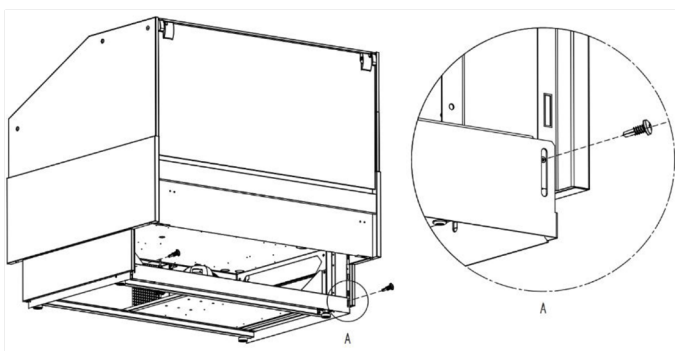
SKRU AFDÆKNINGER PÅ MED SKRUER 18502037



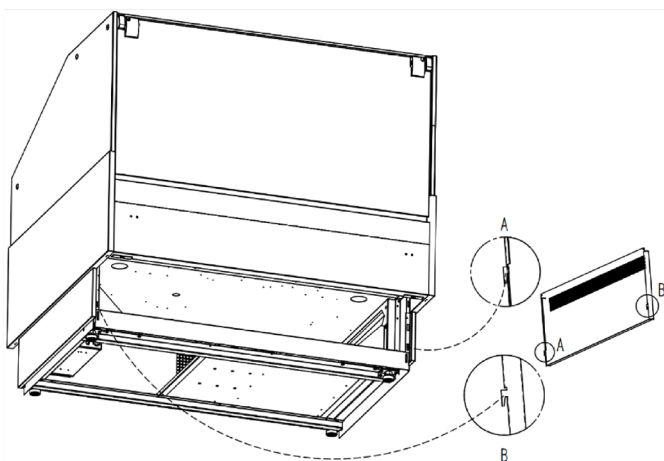
SKRU DET BAGERSTE PANEL PÅ MED SKRUER 18502108



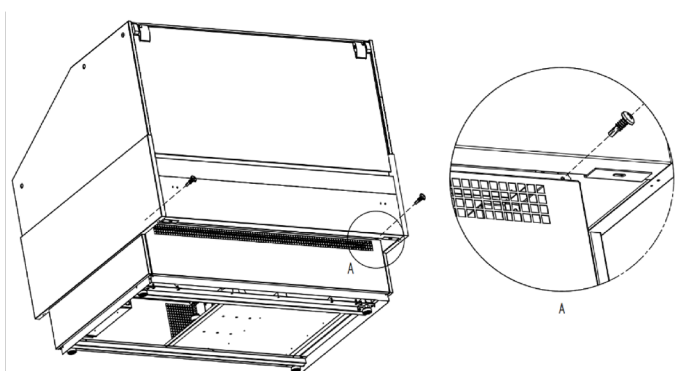
SKRU FRONT SOKKEL PÅ MED SKRUER 18502037



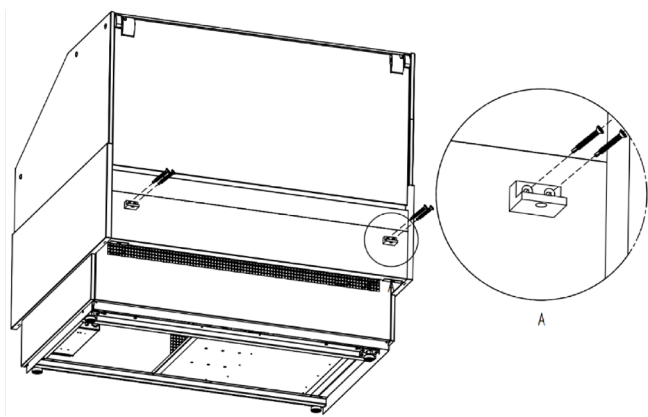
HÆNG FRONT AFDÆKNING PÅ TAPPER



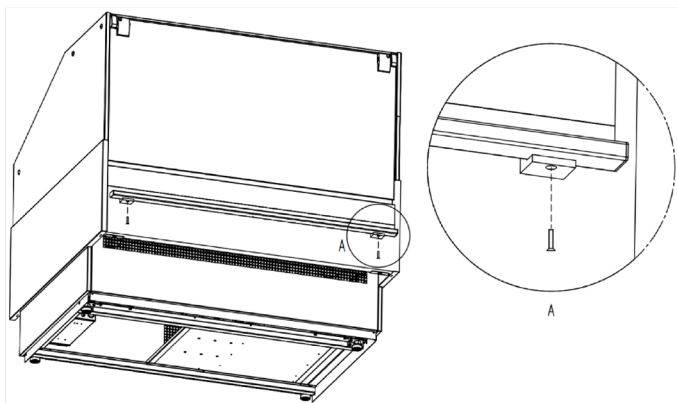
SKRU FRONT AFDÆKNING PÅ MED SKRUER 18502032



SKRU BUMPER HOLDER MED SKRUER 18502032

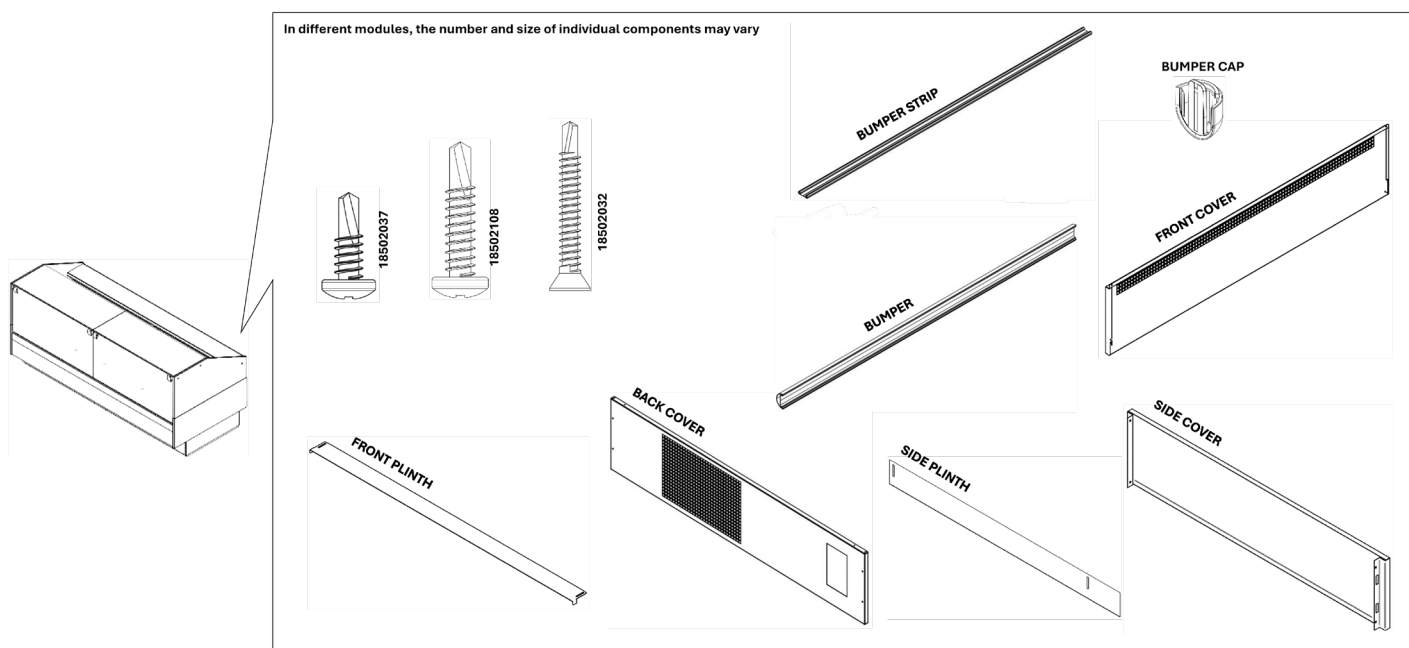


SKRU BUMPER PÅ HOLDERE MED SKRUER 18502092

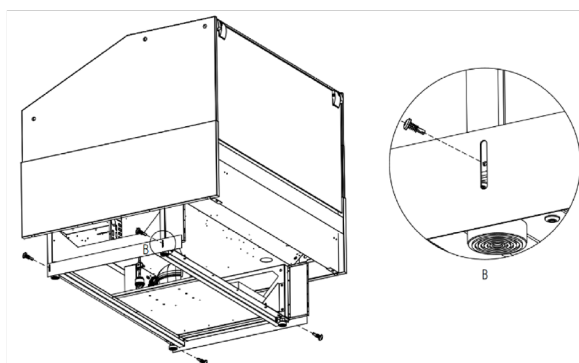


INSTALLATION SOCB

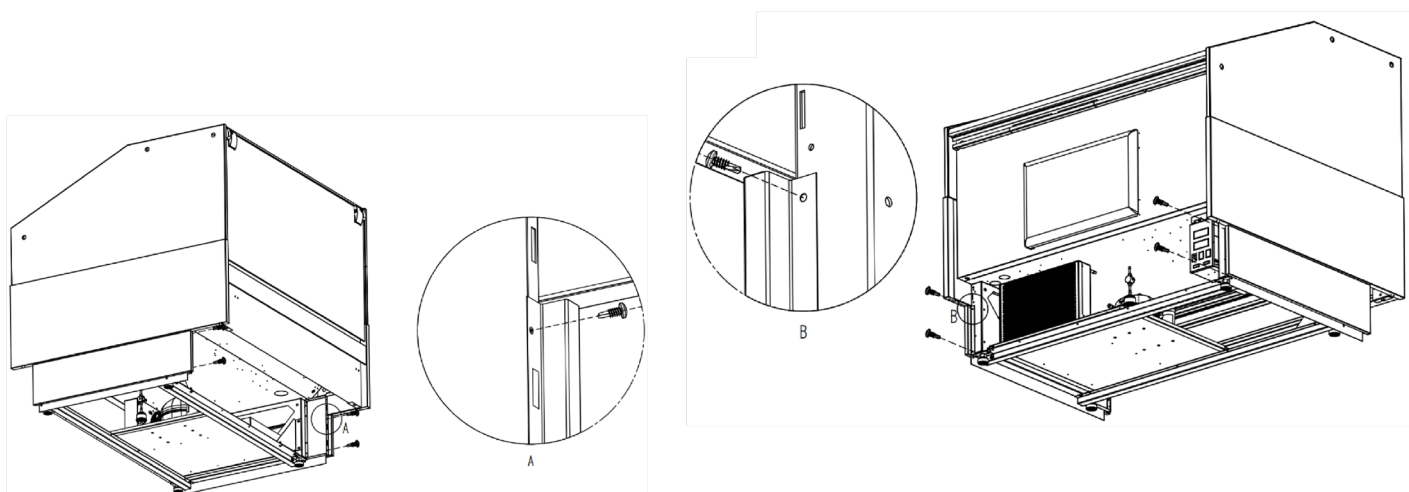
DELE



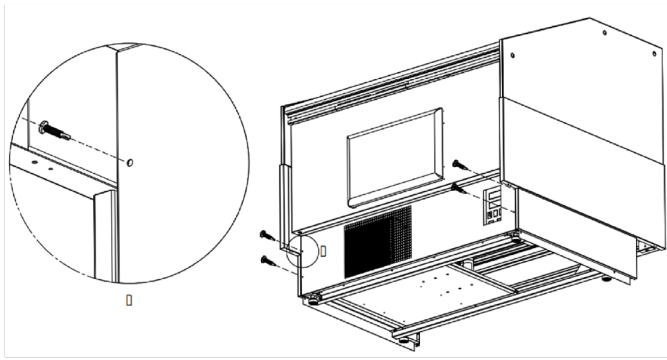
SKRU SOKKLER PÅ MED SKRUER 18502037



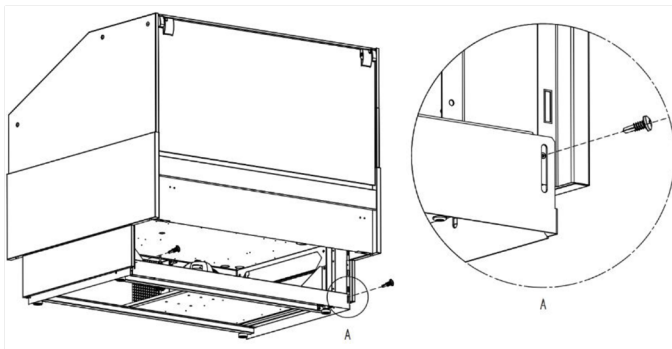
SKRU AFDÆKNINGER PÅ MED SKRUER 18502037



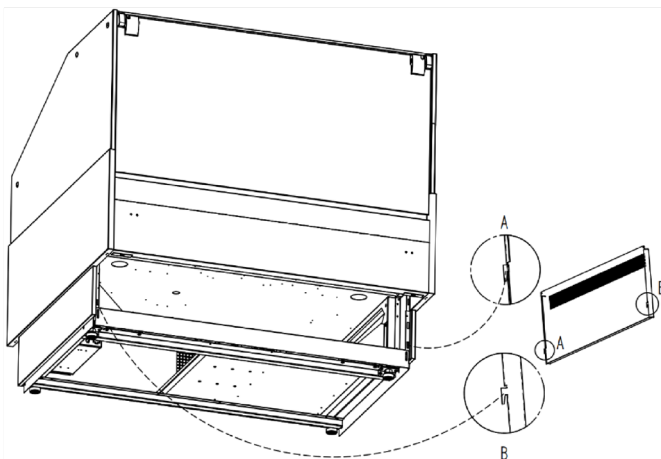
SKRU DET BAGERSTE PANEL PÅ MED SKRUER 18502108



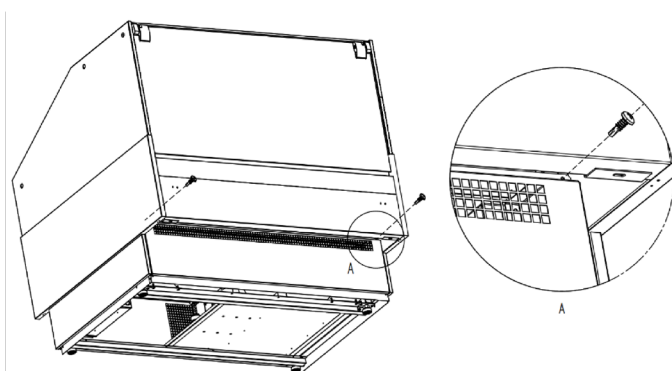
SKRU FRONT SOKKEL PÅ MED SKRUER 18502037



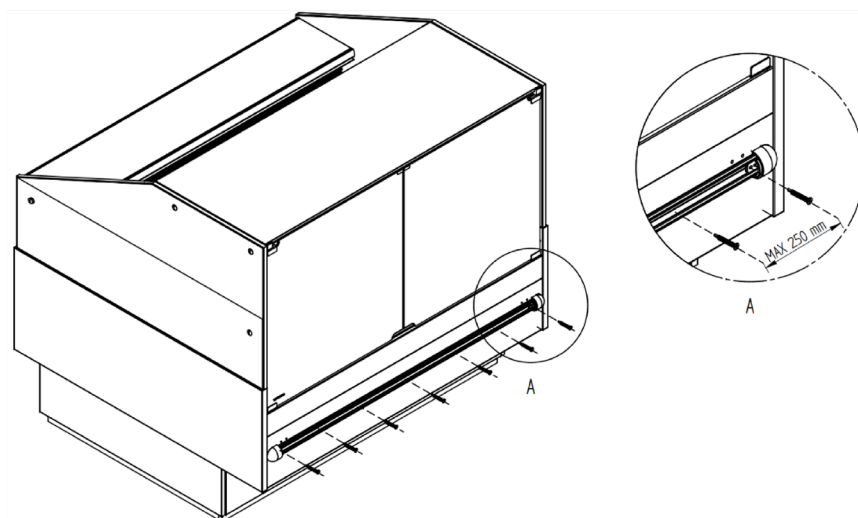
HÆNG FRONT AFDÆKNING PÅ TAPPER



SKRU FRONT AFDÆKNING PÅ MED SKRUER 18502032



SKRU BUMPER BASEN PÅ MED SKRUER 18502032



PRES BUMPER PÅ BASEN MED ET KLIK.

